



INSTALLATION INSTRUCTIONS

● Flat Bar Ladder Safety Gate Adapter Brackets



To Contact PS DOORS:

By Mail: PS DOORS
Safety Products Group
1150 S. 48th Street
Grand Forks, ND 58201

By Fax: 1-701-746-8340

Website: www.psddoors.com

By Phone: Phone 1-701-746-4519
Toll Free 1-877-446-1519

By Email: 4psinfo@psdoors.com

NOTICE This product is designed to work with the Ladder Safety Gate for various mounting applications. Once adapter brackets are installed refer to the Ladder Safety Gate O&M Manual for proper installation of the Ladder Safety Gate. Failure to do so may result in product failure.

Adapter Bracket Kit Includes:

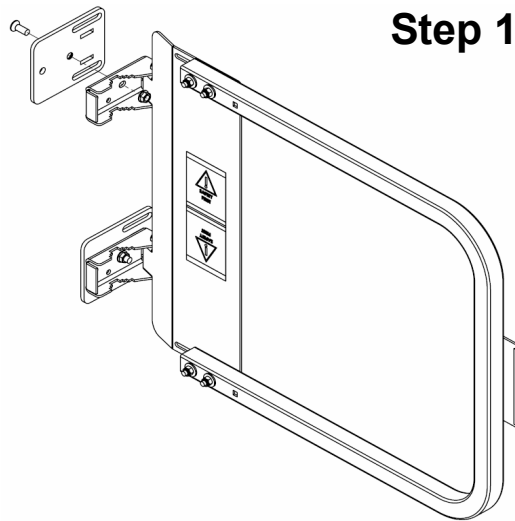
LSG-FB2-2205GAL and LSG-FB2-2205PCY
The LSG-Flat Bar Front and Back are the only parts different between the GAL and PCY Kit

Part #	Description	QTY.
500933 500935	LSG; Flat Bar Adapt-Back-GAL or LSG; Flat Bar Adapt-Back-PCY	2
500937 500939	LSG; Flat Bar Adapt-Front-GAL or LSG; Flat Bar Adapt-Front-PCY	2
501484	Screw; FISlotMach 3/8" 16x1 Zn	2
500392	Bolt; Hex 3/8" 16x1 1/2 Gr5 Zn	6
501120	Nut; Nylock 3/8" 16 Zn	6
501085	3/16"-16 Flanglock Nut	2

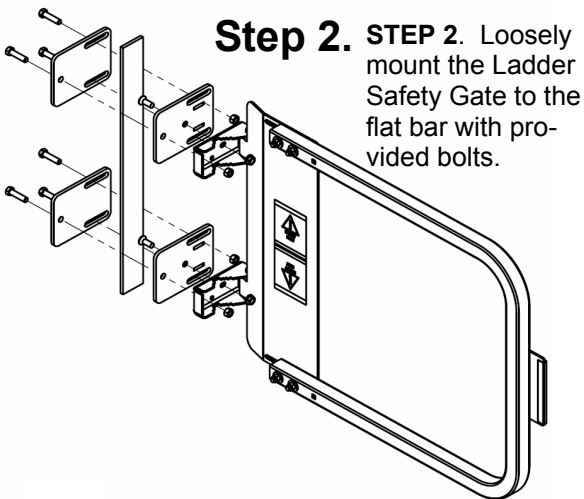
LSG-FB2-2205SST

500936	LSG; Flat Bar Adapt-Back-SST	2
500940	LSG; Flat Bar Adapt-Front-SST	2
502153	Screw; FISlotMach 3/8" 16x1 SST	2
501086	Nut; Flange 3/8" 16 SS	2
500394	Bolt; Hex 3/8" 16x1 1/2 SS	6
501119	Nut; Nylock 3/8" 16 SS	6

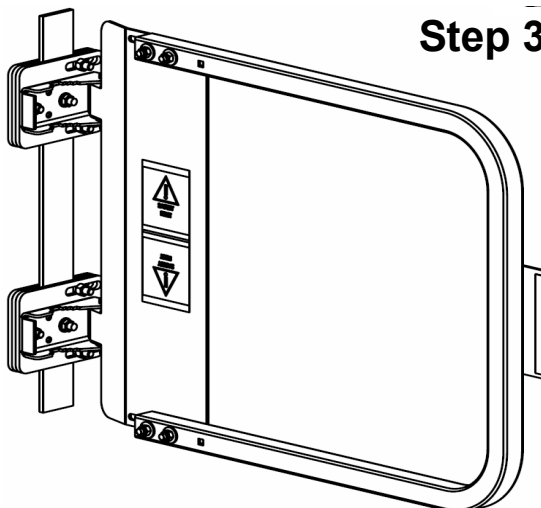
*Quantities for Large Gates (LSG-FB3-2205XXX) will include a total of three (3) Flat Bar connections (drawing shows two).



Step 1. STEP 1. Attach flat bar adapter bracket to the Ladder Safety Gate mounting bracket with provided bolt.



Step 2. STEP 2. Loosely mount the Ladder Safety Gate to the flat bar with provided bolts.



Step 3. STEP 3. Adjust the Ladder Safety Gate so the top of the gate is 42" above platform/walking surface. Tighten all bolts.



INSTALLATION INSTRUCTIONS

• Large Pipe Ladder Safety Gate Adapter Brackets



To Contact PS DOORS:

By Mail: PS DOORS
Safety Products Group
1150 S. 48th Street
Grand Forks, ND 58201

By Fax: 1-701-746-8340

Website: www.psddoors.com

By Phone: Phone 1-701-746-4519
Toll Free 1-877-446-1519

By Email: 4psinfo@psdoors.com

NOTICE This product is designed to work with the Ladder Safety Gate for various mounting applications. Once adapter brackets are installed refer to the Ladder Safety Gate O&M Manual for proper installation of the Ladder Safety Gate. Failure to do so may result in product failure.

Adapter Bracket Kit Includes:

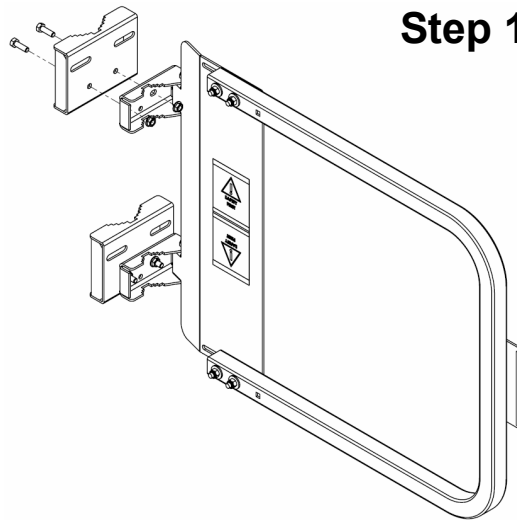
LSG-LP2-2204GAL and LSG-LP2-2204PCY
The LSG;Rail Adapt Clamp is the only part different between the GAL and PCY Kit

Item #	Part #	DESCRIPTION	QTY.
	501001	LSG; Rail Adapt Clamp-GAL	4
	501003	or LSG; Rail Adapt Clamp-PCY	4
	501087	Nut;Flange 5/16"18Gr2Zn	4
	500422	Bolt;Hex5/16"18X1Gr5Zn	4
	501947	Washer; Flat 3/8"Zn	8
	500456	Bolt;Tap3/8"16x6Gr5Zn	4
	501120	Nut;Nylock 3/8"16 Zn	4

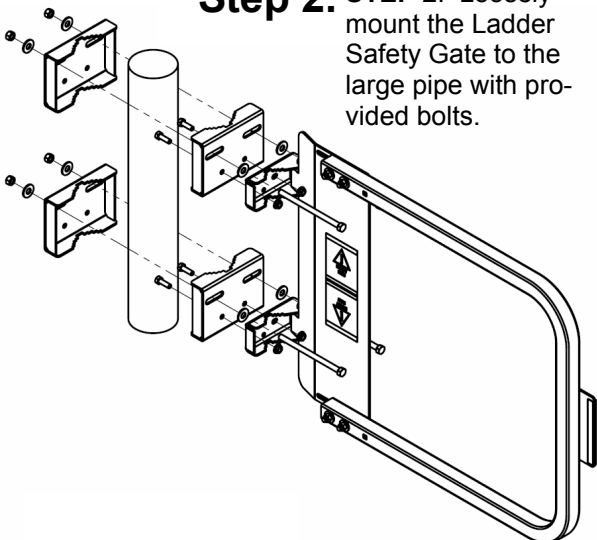
LSG-LP2-2204SST			
Item #	Part #	DESCRIPTION	QTY.
	502127	LSG; Rail Adapt Clamp-SST	4
	501088	Nut;Flange 5/16"18 SS	4
	500423	Bolt;Hex5/16"18X1SS	4
	501945	Washer; Flat 3/8"SS	8
	502152	Bolt;Tap3/8"16x6SST	4
	501121	Nut;Nylock 3/8"16 SS	4

*Quantities for Large Gates (LSG-LP3-2204XXX) will include a total of three (3) Large Pipe connections (drawing shows two).

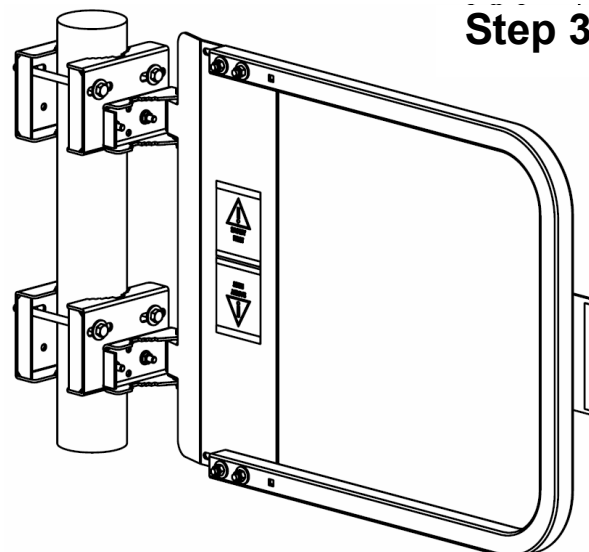
Step 1. STEP 1. Attach Large Pipe adapter bracket to the Ladder Safety Gate mounting bracket with provided bolts.



Step 2. STEP 2. Loosely mount the Ladder Safety Gate to the large pipe with provided bolts.



Step 3. STEP 3. Adjust the Ladder Safety Gate so the top of the gate is 42' above platform/walking surface. Tighten all bolts. If more than 1/4" of thread extends past the nylock nut, trim to 1/4".





PS DOORS

SAFETY PRODUCTS GROUP

INSTALLATION INSTRUCTIONS

• Angle Iron Ladder Safety Gate Adapter Brackets



To Contact PS DOORS:

By Mail: PS DOORS
Safety Products Group
1150 S. 48th Street
Grand Forks, ND 58201

By Fax: 1-701-746-8340

Website: www.pdoors.com

By Phone: Phone 1-701-746-4519

By Email: 4psinfo@psdoors.com

NOTICE This product is designed to work with the Ladder Safety Gate for various mounting applications. Once adapter brackets are installed refer to the Ladder Safety Gate O&M Manual for proper installation of the Ladder Safety Gate. Failure to do so may result in product failure.

Adapter Bracket Kit Includes:

LSG-AC2-2206GAL and LSG-AC2-2206PCY
The LSG-Angle Clampfront and Back are the only parts different between the GAL and PCY Kit

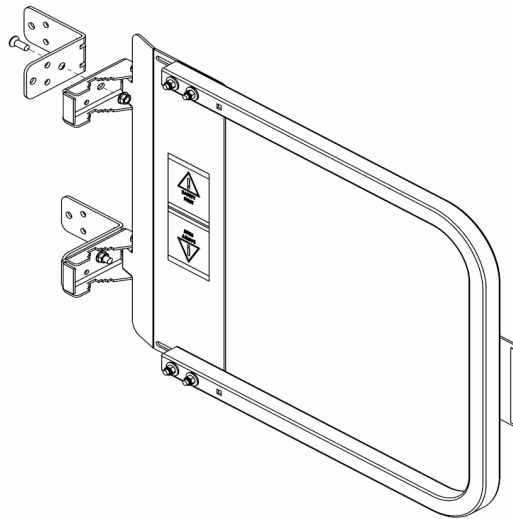
Part #	Description	Qty
500924	LSG; Angle Clamp Back-GAL	2
500926	or LSG; Angle Clamp Back-PCY	
500928	LSG; Angl Clamp Front-GAL	2
500930	or LSG; Angle Clamp Front-PCY	
501484	Screw;FISlotMach3/8"16x1Zn	2
501085	Nut; Flange 3/8"16Gr2Zn	2
500418	Bolt; Hex 5/16" 18x1 1/2Gr5Zn	8
500392	Bolt; Hex 3/8" 16x1 1/2Gr5Zn	4
501126	Nut; Nylock 5/16"18Zn	8
501120	Nut; Nylock 3/8"16Zn	4

* These items are used for angles greater than 2 1/2", they replace the 5/16" nuts and bolts.

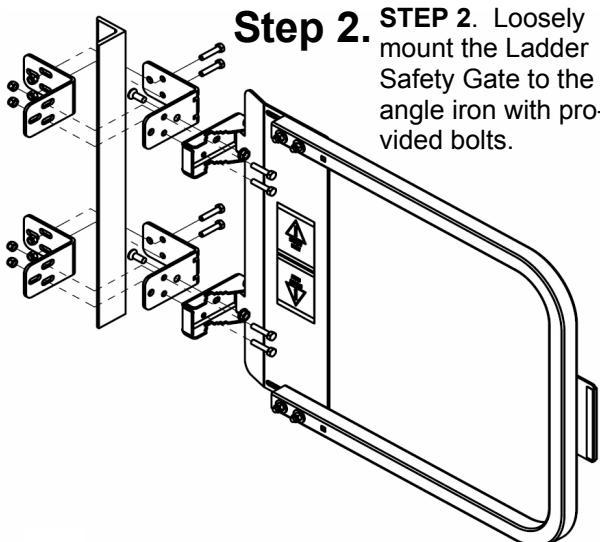
LSG-AC2-2206SST

500927	LSG; Angle Clamp Back-SST	2
500931	LSG; Angle Calmp Front-SST	2
502153	Screw;FISlotMach3/8"16x1 SST	2
501086	Nut; Flange 3/8"16 SS	2
500419	Bolt; Hex 5/16"18x1 1/2 SS	8
500394	Bolt; Hex 3/8"16x1 1/2 SS	4
501121	Nut; Nylock 5/16"18 SS	8
501119	Nut; Nylock 3/8"16 SS	4

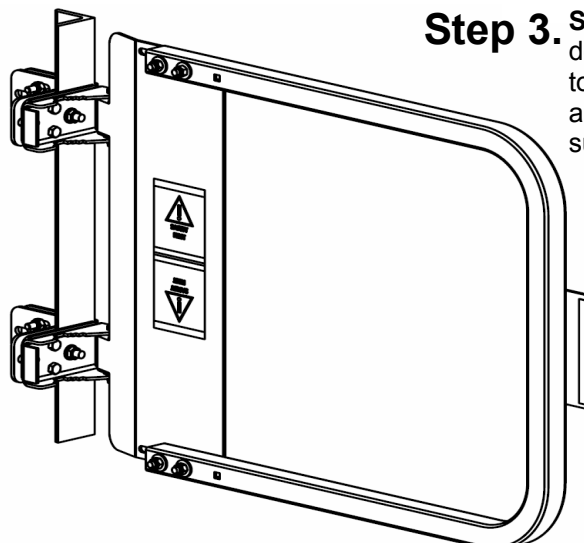
*Quantities for Large Gates (LSG-AC3-2206XXX) will include a total of three (3) Angle connections (drawing shows two).



STEP 1. Attach angle iron adapter bracket to the Ladder Safety Gate mounting bracket with provided bolt.



Step 2. Loosely mount the Ladder Safety Gate to the angle iron with provided bolts.



Step 3. Adjust the Ladder Safety Gate so the top of the gate is 42' above platform/walking surface. Tighten all bolts.