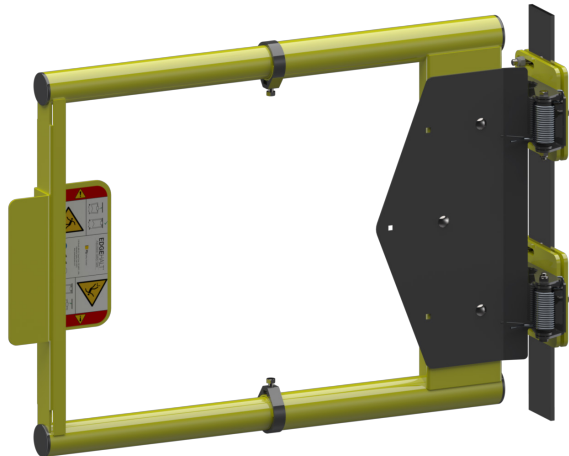


# EDGEHALT® FLAT BAR ADAPTER BRACKET



## Installation Instructions



**Models:**

- All LSG Models
- All ASG Models

FINISH OPTIONS	
SST	Stainless Steel
PCY	Powder Coat Safety Yellow
GAL	Hot Dipped Galvanized

**Table of Contents:**

Parts List..... 1  
Product Installation..... 2

## Contact Information

**Mail**  
PS Safety Access  
1150 South 48th Street  
Grand Forks, ND 58201

**Local Phone**  
701.746.4519

**Toll Free Phone**  
877.446.1519

**Website**  
pssafetyaccess.com

**Email**  
4psinfo@psindustries.com

**Hours of Operation**  
8 A.M. to 5 P.M. CT  
Monday – Friday

**NOTICE** This product is designed to work with the EdgeHalt® LSG and ASG for various mounting applications. Once adapter brackets are installed refer to the Ladder Safety Gate or Adjustable Safety Gate O&M manual for proper installation of the Safety Gate. Failure to do so may result in product failure.

## Parts List

### I. EdgeHalt® Safety Gate Flat Bar Adapter Bracket Parts

LSG-FB2-2205GAL and LSG-FB2-2205PCY  
The LSG;Flat Bar Front and Back are the only parts different between the GAL and PCY Kit Gate Sizes: 15-36

ITEM #	PART #	DESCRIPTION	QTY
1	500933 500935	LSG;FLAT BAR ADAPT-BACK-GAL LSG;FLAT BAR ADAPT-BACK-PCY	2
2	500937 500939	LSG;FLAT BAR ADAPT-FRONT-GAL LSG;FLAT BAR ADAPT-FRONT-PCY	2
3	501484	SCREW;FLSLOTMACH 3/8-16X1 ZN	2
4	500392	BOLT;HEX3/8"16X1 1/2GR5ZN	6
5	501120	NUT;NYLOCK 3/8"16 ZN	6
6	501085	NUT;FLANGE 3/8"16ZN-CASE HARD	2

### LSG-FB2-2205SST

ITEM #	PART #	DESCRIPTION	QTY
1	500936	LSG;FLAT BAR ADAPT-BACK-SST	2
2	500940	LSG;FLAT BAR ADAPT-FRONT-SST	2
3	502153	SCREW;FLSLOTMACH3/8"16X1SST	2
4	500394	BOLT;HEX3/8"16X1-1/2SS	6
5	501119	NUT;NYLOCK 3/8"16 316SS	6
6	501086	NUT;FLANGE 3/8"16, 316SS	2

\*Quantities for Large Gates (LSG-FB3-2205XXX) will include a total of three(3) Flat Bar connections (drawing shows two) and corresponding quantities of bolts, and nuts. Gate Sizes: 40-48

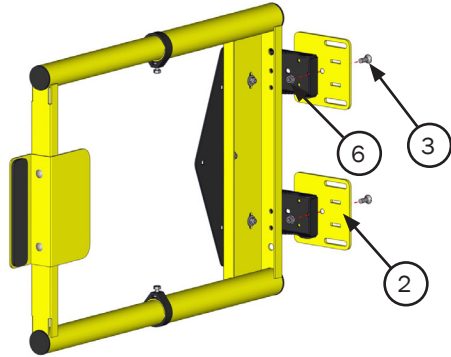


# Flat Bar Installation

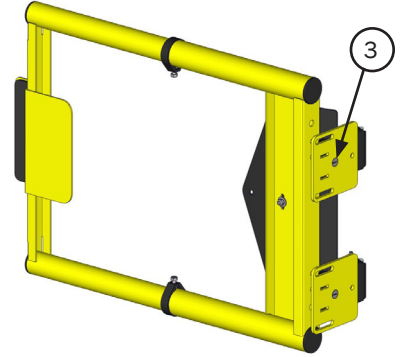
## II. Installation of EdgeHalt® Safety Gate Flat Bar Adapter Bracket

**STEP 1.** Attach Flat Bar Adapter Front Bracket Plate to the safety gate mounting bracket with provided  $\frac{3}{8}$ " machine screws and flange nuts.

**Step 1  
Illustration I**



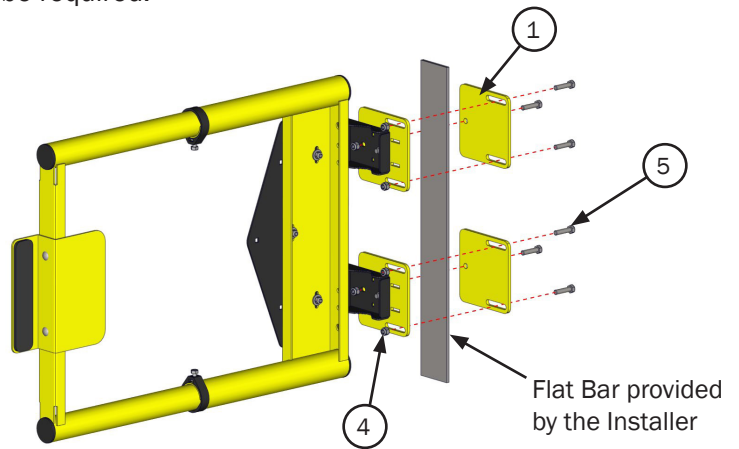
**Step 1  
Illustration II**



**STEP 2.** Loosely mount the Safety Gate to the flat bar (provided by the Installer).  
 a. Attach Adapter Back Plate to Adapter Front Plate using supplied  $\frac{3}{8}$ " bolts and nylock nuts.

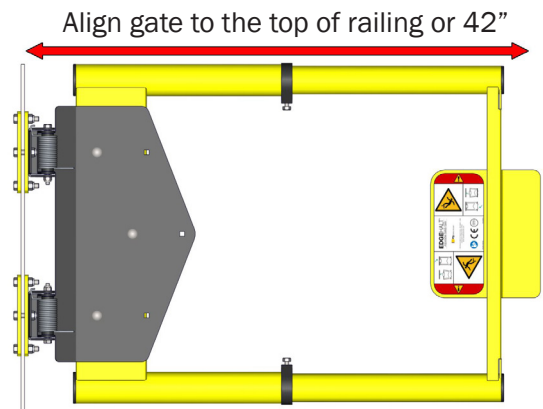
**CRITICAL** Do not tighten, additional adjustment may be required.

**Step 2  
Illustration I**



**STEP 3.** Adjust top of Safety Gate to align with top of railing.  
 a. Tighten the  $\frac{3}{8}$ " mounting bolts in final position.

**Step 3  
Illustration I**



**NOTICE** Rest of Gate not shown.

**CRITICAL** VERIFY INSTALLATION

1. Ensure all bolts/nuts are tight.
2. Operate gate to ensure free movement.

**▲ WARNING** Tighten all fasteners to a minimum torque of 10 ft\*lbs unless otherwise specified.

**STEP 4.** Refer to EdgeHalt® Ladder Safety Gate or Adjustable Safety Gate Operations and Maintenance Manual for remainder of installation.