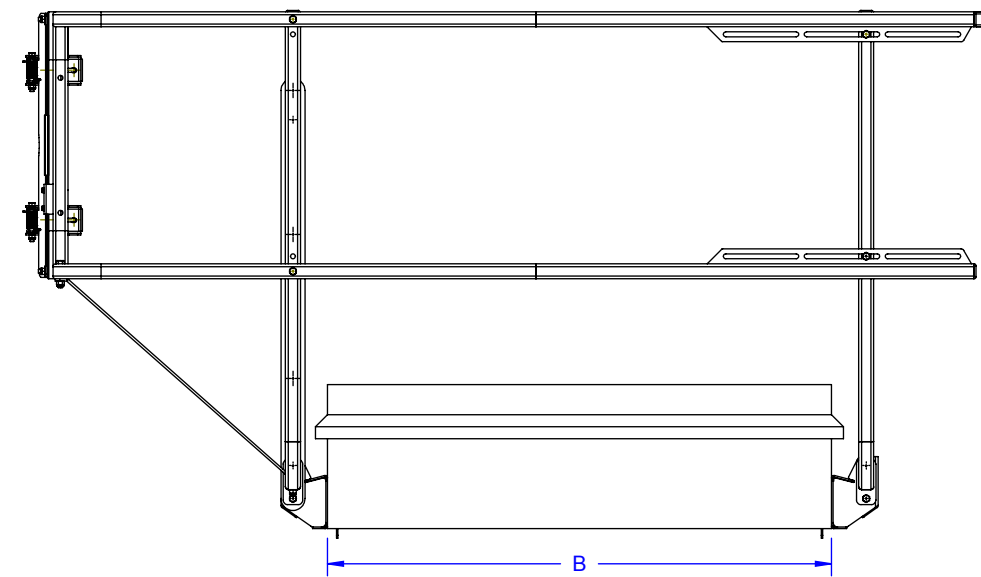
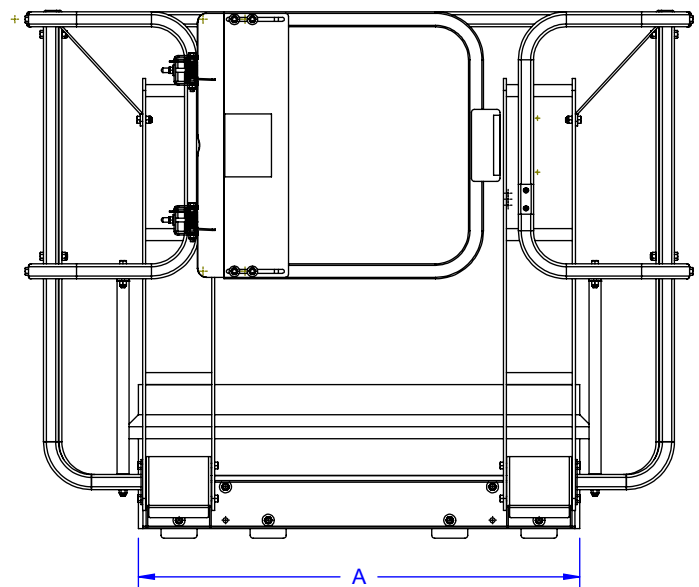


B.O.M. IS FOR QTY - 1				
ITEM NO.	PART NO.	DESCRIPTION	Qty	U/M
1	511921	HSF;ASSYCURB-PCG	2	EA
2	500802	HTG;ASSY RUNG-PCG	2	EA
3	500401	BOLT;HEX3/8"16X1 1/4"GR5ZN	12	EA
4	501120	NUT;NYLOCK 3/8"16 ZN	40	EA
5	500400	BOLT;HEX3/8"16X1GR5ZN	2	EA
6	511925	HSF;UPPERSUPPORTSTRAP-PCG	2	EA
7	500320	BOLT;CARRIAGE3/8"16X2-1/2GR5ZN	12	EA
8	500807	HTG;CRUSH PLATE-PCG	12	EA
9	501947	WASHER;FLAT 3/8"ZN	12	EA
10	512207	HSF;VERTSUPPORTASSY48-PCG	4	EA
11	500407	BOLT;HEX3/8"16X2GR5ZN	10	EA
12	511924	HSF;LOWERSUPPORTSTRAP-PCG	2	EA
13	512185	HSF;ASSY SIDE RAIL 48-PCG	2	EA
14	500409	BOLT;HEX3/8"16X3 1/2GR5ZN	4	EA
15	512201	HSF;BACKCROSSASSY48"MS-PCG	1	EA
16	503633	LSG;SUPPORT BLOCK KIT	1	EA
17	LSG-24-GAL	LADDER SAFETY GATE GAL 24	1	EA



EXISTING CURB SIZES	
A-RANGE	30" - 48"
B-RANGE	30" - 48"

FINISH:

REV.	REVISIONS	DATE	REVISED BY	PRODUCT DESCRIPTION: HATCH SAFE	SN/WO:	PART #: HSF-4848 MG
				CUSTOMER:	DWG STATUS:	UNLESS OTHERWISE SPECIFIED
				CUSTOMER PO #:	FOR REFERENCE ONLY	LINEAR ± .0312" (1/32")
				SALES ORDER NAME:	ESTIMATED PART WEIGHT:	CUTOUT ± .0156" (1/64")
				SALES ORDER #:	DWG # HSF-MG	SQUARENESS ± .0625" (1/16")
				FOLDING MACHINE PROGRAM #:	DWG BY: adeshaw	ANGULAR ± .5°
					CHECKED: /	DATE:
						SCALE: NTS
						SHEET # 1 OF 16
						REV: B+

PS DOORS
 1150 48th St. S
 GRAND FORKS, ND 58201
 PH. 701-746-4519
 FAX 701-746-8340