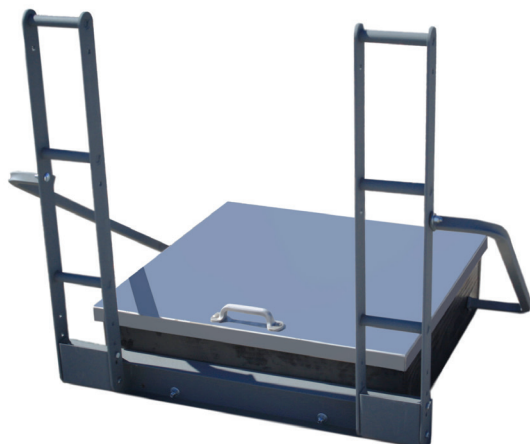


# HatchGrip®

## Installation Instructions/Operation and Maintenance Manual



**Model**  
HTG-PCG

### Table of Contents

Product Information .....	2
Installation Instructions .....	3
Operation .....	5
Inspection & Maintenance .....	5
Inspection & Maintenance Log .....	6
Replacement Parts List .....	7
Warranty Information .....	8

### PS DOORS Contact Information

<b>Mail</b> PS DOORS Attn: PS Safety Access 1150 South 48th Street Grand Forks, ND 58201	<b>Local Phone</b> 701.746.4519  <b>Toll Free Phone</b> 877.446.1519	<b>Website</b> psdoors.com  <b>Email</b> 4psinfo@psdoors.com	<b>Hours of Operation</b> 8 A.M. to 5 P.M. CT Monday - Friday
--	--	--	---

**IMPORTANT!** Read entire Instruction and Operations Manual to become familiar with the product.

**NOTICE** This product is a fall protection product. The effectiveness of the product is directly related to the proper installation and operation of this product. Failure to properly maintain this product **will** affect performance.

#### Publication Notice

This manual has been compiled and published covering the latest product descriptions and specifications.

The contents of this manual and the specifications of this product are subject to change without notice.

PS DOORS reserves the right to make changes without notice in the specifications and materials contained herein and shall not be responsible for any damages (including consequential) caused by reliance on the materials presented, including but not limited to typographical and other errors relating to the publication.

PS DOORS and/or its respective suppliers may make improvements and/or changes in the product(s)/service(s) offered at any time without notice.

Retain this manual for future reference.  
If you would like to download an 8.5"x11" copy of this manual, please go to psdoors.com

## Safety Precautions

The following icons are used throughout this Manual.

- ▲ DANGER** Indicates an imminently hazardous situation which, if not avoided, will result in death or serious injury.
- ▲ WARNING** Indicates a potentially hazardous situation which, if not avoided, could result in death or serious injury.
- ▲ CAUTION** Indicates a potentially hazardous situation which, if not avoided, may result in minor or moderated injury.
- NOTICE** Indicates manufacturer's statement of additional information.
- IMPORTANT!** Indicates a required action.
- CRITICAL** Indicates a vital component to product performance.

## HatchGrip® Product Information

### I. General Information

- A. This manual contains information regarding installation, operation, and maintenance of the PS DOORS HatchGrip®, HTG-PCG.
- B. PS DOORS recommends that the owner implement a regular maintenance program to inspect the HatchGrip as necessary.

**NOTICE** This product is manufactured to specific guidelines. Unauthorized alteration in any way will result in voiding Factory Warranty, and may cause product to fail with potential serious consequences. Accordingly, if the product requires service after unauthorized modification, you can expect any request for warranty repair to be charged to you. Authorized modifications, received in writing from PS DOORS, as long as the modification is accomplished strictly in accordance with PS DOORS' instructions, does not void warranty. To request product modifications contact PS DOORS.

### II. Storage Prior To Installation of Product

- A. Store materials in a dry, ventilated location. If outdoor storage is required, block materials and tarp in a tent-like arrangement, elevated above the product with open sides to allow airflow.

**NOTICE** Before beginning any portion of the site preparation and installation of the HatchGrip, read the entire Operation and Maintenance Manual and review all Installation Instructions thoroughly.

### III. Installation Site Preparation

- A. Clear work area of any debris.
- B. Ensure you have necessary tools available. (Minimum recommended tools):
  1. Two (2) 9/16" Wrenches
  2. One (1) Electric Drill
  3. One (1) 7/16" Drill Bit
  4. One (1) Tape Measure
  5. One (1) Level

### IV. Installation Safety Precautions

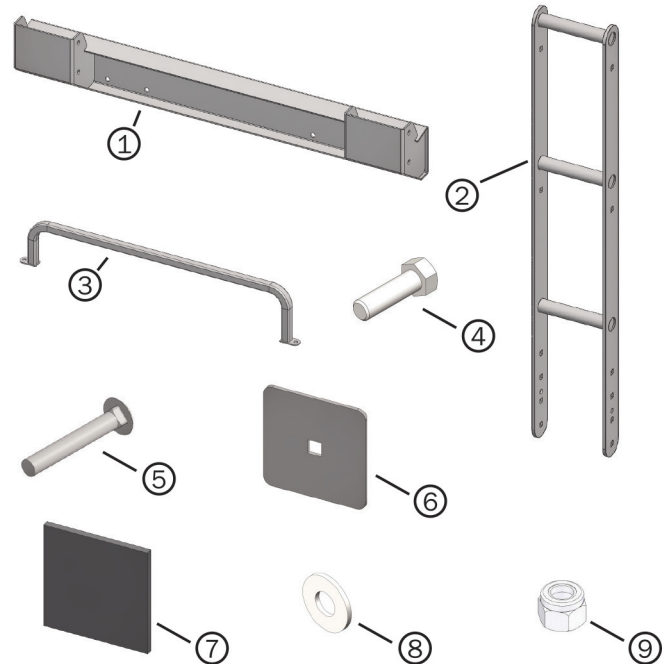
- A. Comply with all OSHA Safety Regulations and/or company safety policies when installing.
- B. **▲ DANGER** Ensure mounting surface is capable of supporting all loading. Structural analysis of mounting surface is the responsibility of the owner.

# Installing HatchGrip®

Inventory carton to ensure all parts are present for assembly/installation. Refer to part list below.

## HatchGrip® Part List (As shipped)

Item #	Description	Qty.
1	HTG;ASSY CURB BRKT	1
2	HTG;ASSY RUNG	2
3	HTG;ASSY SUPP TUBE	2
4	BOLT;HEX3/8"16X1 1/4	10
5	BOLT;CARRIAGE3/8"16X2-1/2	4
6	HTG;CRUSH PLATE	4
7	WS;CURB/CRUSH PLT WEATHER SEAL	4
8	WASHER;FLAT 3/8"	14
9	NUT;NYLOCK 3/8"16	14



## V. Installation

### Step 1. Installing the Curb Bracket

A. Determine the mounting height of the Curb Bracket

**IMPORTANT!** Bottom rung must be higher than the top of the hatch. (See Illustration 1.)

B. Once height and center have been determined, mark two holes closest to the edge of the hatch that will be used for fastening to existing curb.

C. Square crush plate must be mounted to the interior of the hatch so you will have to allow for clearance. (See Illustration 2.)

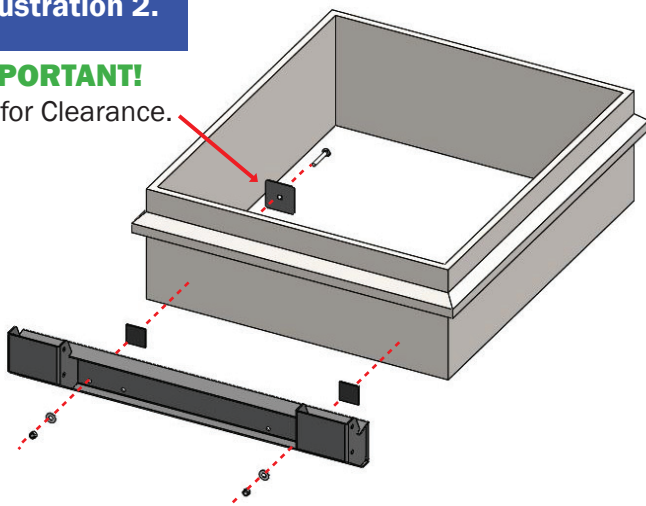
D. When holes are marked, and you have ensured crush plate will fit, drill holes with the 7/16" drill bit.

E. Before final fastening of the curb bracket, make sure the provided adhesive backed EPDM seal is at each anchor point (between the curb bracket and existing curb).

F. Fasten with provided 3/8 - 16 x 2-1/2" carriage bolts.

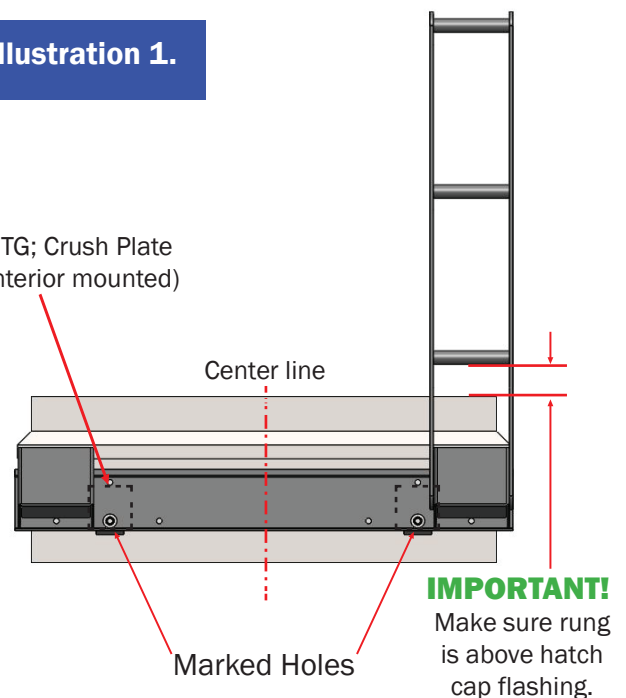
### Illustration 2.

**IMPORTANT!**  
Allow for Clearance.



### Illustration 1.

HTG; Crush Plate  
(Interior mounted)



# Installing HatchGrip®

## Step 2. Attaching Vertical Rung Assemblies

(See Illustration 3.)

- A. Fasten vertical rung assemblies to the curb bracket with the provided 3/8"-16 x 1-1/4" hex bolts.

## Step 3. Determine Support Tube Configuration (See Illustrations 4. & 5.)

- A. Determine which support tube leg configuration fits your hatch.
- The length of both legs of the support tube are different lengths. This is to accommodate various sizes of roof hatches.
- B. Rotate the support tube if required.

Illustration 3.

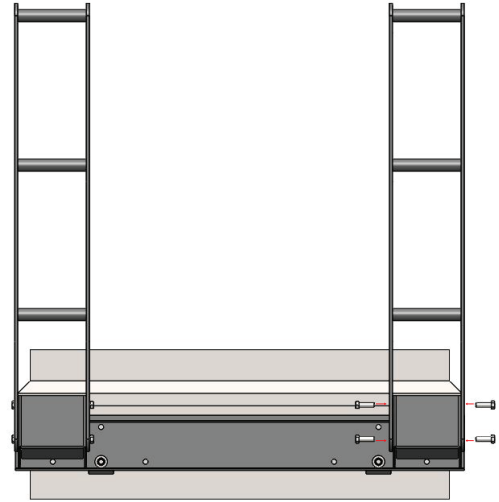


Illustration 4. Top View

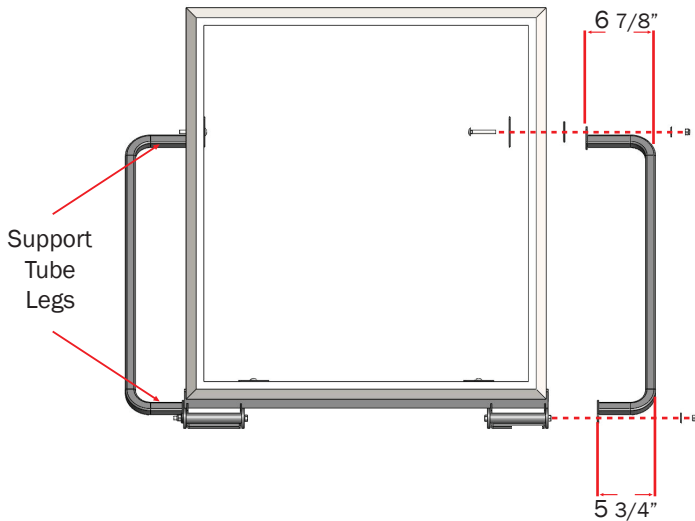
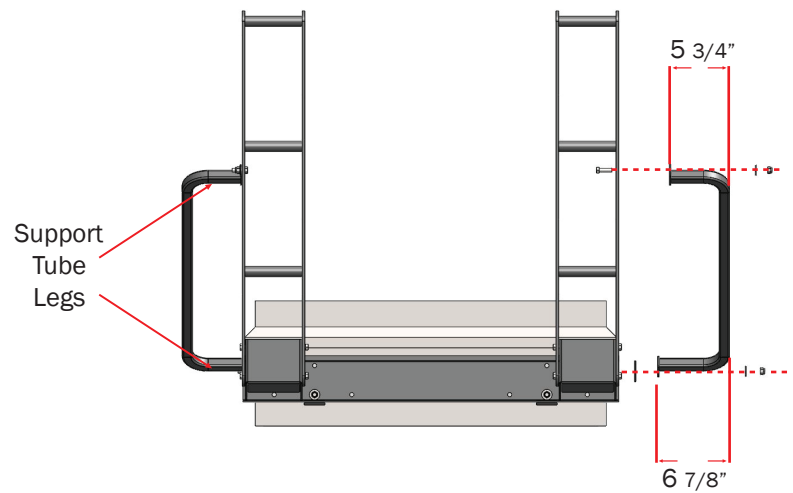


Illustration 5. Front View



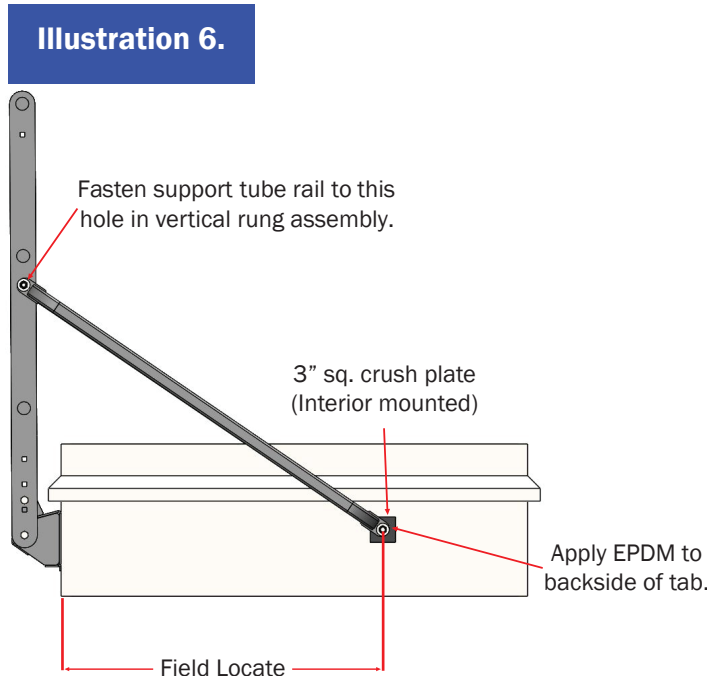
## Installing HatchGrip®

### Step 4. Attaching Support Tubes

- A. Fasten the support tube to the existing hole in the vertical rung assembly with the provided 3/8"-16 x 1-14" hex bolts.
- B. Position the opposite end of the support tube as far back from the rung assembly as possible. (See Illustration 6.)
- C. Apply adhesive backed EPDM seal to the back side of the support tab.
- E. Fasten support tube through the hatch curb and crush plate (interior). With the provided 3/8"- 16 x 2-1/2" carriage bolts, Mark and drill using the 7/16" drill bit.
  - Shimming the support tube rail out (BY OTHERS) may be required depending on hatch design.

### CRITICAL VERIFY INSTALLATION

- A. Ensure all bolts/nuts are tight.
- B. Ensure rigid installation.



## Operation of HatchGrip®

### VI. Operation

- A. Ascending Ladder
  1. When you have reached the hatch opening, use ladder rung continuation grips on the HatchGrip® to continue ascending the ladder. When entire body is outside of the hatch opening, exit the hatch opening. If hatch is unguarded, ensure hatch lid is closed.
- B. Descending Ladder
  1. As you are about to enter the hatch opening, use ladder rung continuation grips on the HatchGrip® to stabilize yourself and begin descending the ladder until you reach the floor or ground below you.

## Inspection and Maintenance

### VII. Inspection and Maintenance

**IMPORTANT!** Consult parts list before replacing fasteners, as all have specific design load requirements. Only use like items for replacement.

**CRITICAL** Check all mounting connections, making sure they meet original design standards (refer to installation instructions).

- A. Fasteners and mechanical connections:
  1. All fasteners must be in place and adjusted to their original design standards. Replace any damaged fasteners or connections. (refer to parts list on page 7).
- B. Finishes
  1. Inspect and clean finishes periodically.
  2. Touch up or repair finishes. Refinish as necessary to protect the structural integrity of the product.
  3. This product comes with a polyester powder coat finish. Use finish materials compatible with powder coat. Follow paint manufacturer's instructions for prep and touch-up.

# Inspection & Maintenance Log

**CRITICAL** Periodic Inspection and Maintenance Required.

Date Purchased: \_\_\_\_\_

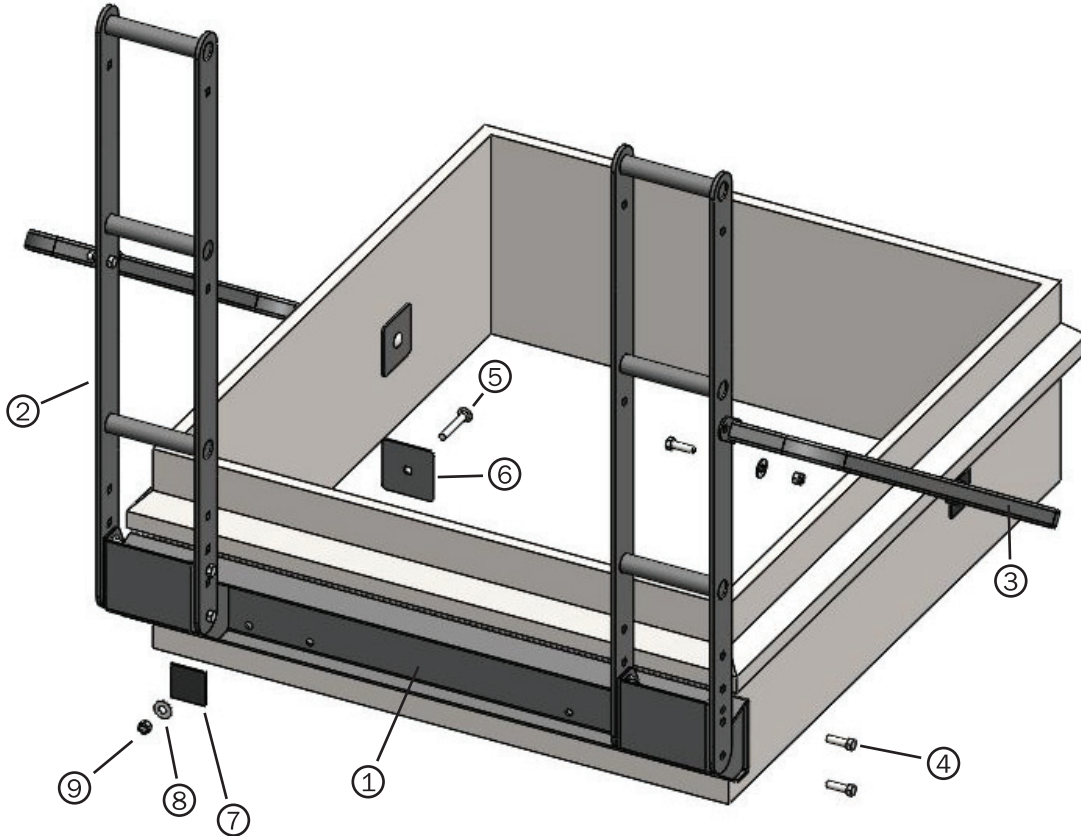
Product: HatchGrip® \_\_\_\_\_

Model Number: HTG-PCG \_\_\_\_\_

Identifier / Number: \_\_\_\_\_  
Location: \_\_\_\_\_

DATE INSPECTED	INSPECTED BY <i>(Print &amp; Sign)</i>	INSPECTION ITEMS NOTED	CORRECTIVE ACTION	CORRECTED BY <i>(Print &amp; Sign)</i>

## Replacement Parts List



### HatchGrip® Replacement Parts List

Item #	Part #	Description
1	500801	HTG;ASSY CURB BRKT-PCG
2	500802	HTG;ASSY RUNG-PCG
3	500803	HTG;ASSY SUPP TUBE PCG
4	500395	BOLT;HEX3/8"16X1 1/4GR8ZN
5	500320	BOLT;CARRIAGE3/8"16X2-1/2GR5ZN
6	500807	HTG;CRUSH PLATE-PCG
7	511040	WS;CURB/CRUSH PLT WEATHER SEAL
8	501947	WASHER;FLAT 3/8"ZN
9	501120	NUT;NYLOCK 3/8"16 ZN

**To Order Parts Contact PS DOORS:**

**Call: 877.446.1519**

**Email: [4psinfo@psdoors.com](mailto:4psinfo@psdoors.com)**

## PS DOORS—Limited Warranty

### Limited Warranty

PS DOORS warrants this product and components to be free from defects in material and workmanship for a period of one (1) year from date of shipment. If within the term of this warranty, any HatchGrip® or component is found to be defective upon inspection by an authorized PS DOORS representative, PS DOORS will replace or repair, at PS DOORS' discretion, any part found to be defective. Any field labor charges incurred are the sole responsibility of the customer.

To make a claim under this warranty, contact PS DOORS at the address shown below.

PS DOORS	Toll Free: 877.446.1519
Attention: Warranty	Phone: 701.746.4519
1150 South 48th Street	Fax: 701.746.8340
Grand Forks, ND 58201	E-mail: 4psinfo@psdoors.com

Unauthorized modification of or to this product voids the PS DOORS Limited Warranty. Accordingly, if the product requires service after unauthorized modification, you can expect any request for warranty repair to be charged to you. Authorized modifications, received in writing from PS DOORS, as long as the modification is accomplished in strict accordance with PS DOORS' instructions, does not void warranty. To request product modifications contact PS DOORS at the address above.

PS DOORS SHALL NOT BE LIABLE FOR ANY CONSEQUENTIAL OR INCIDENTAL DAMAGES.

All other warranty's, express or implied including any warranty of merchantability, are expressly excluded. Some states do not allow the exclusion or limitation of consequential or incidental damages, so the above limitation or exclusion may not apply to you.

WARRANTY DOES NOT APPLY TO ANY DAMAGE OR DETERIORATION CAUSED BY MODIFICATION, ABUSE, APPLIED PAINT FAILURE OR FAILURE TO PROVIDE REASONABLE AND NECESSARY MAINTENANCE.

This warranty gives you specific legal rights, and you may also have other rights, which vary, from state to state, or by country.