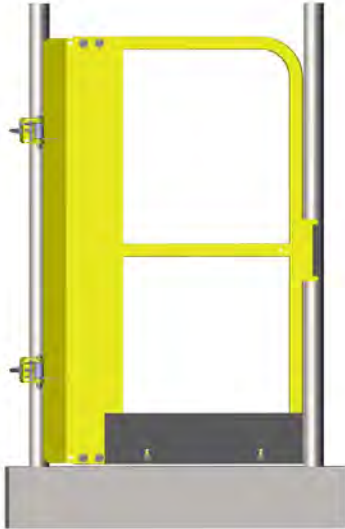




Full Height Ladder Safety Gate

Installation Instructions/Operation and Maintenance Manual



Models

- Powder Coat Yellow (PCY)
- 304 Stainless Steel (SS)
- Hot Dipped Galvanized (GAL)

Table of Contents

Product Information2

Inspection & Maintenance2

Warranty Information2

Installation Instructions3

Parts Diagram8



| | | | |
|--|--|-------------------------------------|---|
| Mail PS DOORS PS Safety Access 1150 South 48th Street Grand Forks, ND 58201 | Local Phone 701.746.4519 | Email 4psinfo@psdoors.com | Hours of Operation 8 A.M. to 5 P.M. CT Monday – Friday |
| | Toll Free Phone 877.446.1519 | Website psdoors.com | |



IMPORTANT! Read entire Instruction and Operations Manual to become familiar with the product.

NOTICE This product is a fall protection product. The effectiveness of the product is directly related to the proper installation and operation of this product. Failure to properly maintain this product **will** affect performance.

Publication Notice

This manual has been compiled and published covering the latest product descriptions and specifications.

The contents of this manual and the specifications of this product are subject to change without notice.

PS DOORS reserves the right to make changes without notice in the specifications and materials contained herein and shall not be responsible for any damages (including consequential) caused by reliance on the materials presented, including but not limited to typographical and other errors relating to the publication.

PS DOORS and/or its respective suppliers may make improvements and/or changes in the product(s)/service(s) offered at any time without notice.



Product Information

I. General Information

A. This manual contains information regarding installation, operation, and maintenance of the Full Height Ladder Safety Gate (PCY, GAL, SS).

B. The Full Height Ladder Safety Gate is adjustable to fit most openings from 18" - 36" (different models apply for each opening size). Each model is adjustable.

II. Storage Prior To Installation of Product

A. Store materials in a dry, ventilated location. If outdoor storage is required, block materials and tarp in a tent-like arrangement, elevated above the product with open sides to allow airflow.

NOTICE Before beginning any portion of the site preparation and installation of the Full Height Ladder Safety Gate, read the entire Operation and Maintenance Manual and review all Installation Instructions thoroughly.

Inspection and Maintenance

III. Inspection and Maintenance

A. Fasteners and mechanical connections: All fasteners must be in place and adjusted to their original design standards. Replace any damaged components. Check for broken springs periodically to ensure proper functionality. Replace as necessary.

B. Finishes: touch up and repair as necessary.

C. Label: Replace if missing or illegible.

NOTICE This product is manufactured to specific guidelines. Unauthorized alteration in any way will result in voiding factory warranty, and may cause product to fail with potential serious consequences. Accordingly, if the product requires service after unauthorized modification, you can expect any request for warranty repair to be charged to you. Authorized modifications, received in writing from PS DOORS, as long as the modification is accomplished strictly in accordance with PS DOORS' instructions, does not void warranty. To request product modifications contact PS DOORS.

PS DOORS Limited Warranty

III. Limited Warranty

PS DOORS warrants this product and components to be free from defects in material and workmanship for a period of (1) year from ship date. If within the term of this warranty, any Full Height Ladder Safety Gate or component is found to be defective upon inspection by an authorized PS DOORS representative, PS DOORS will replace or repair, at PS DOORS' discretion, any part found to be defective. Any field labor charges incurred are the sole responsibility of the customer.

To make a claim under this warranty, contact PS DOORS at: PS DOORS, Attention: Warranty
1150 South 48th Street Grand Forks, ND 58201
877.446.1519 4psinfo@psdoors.com

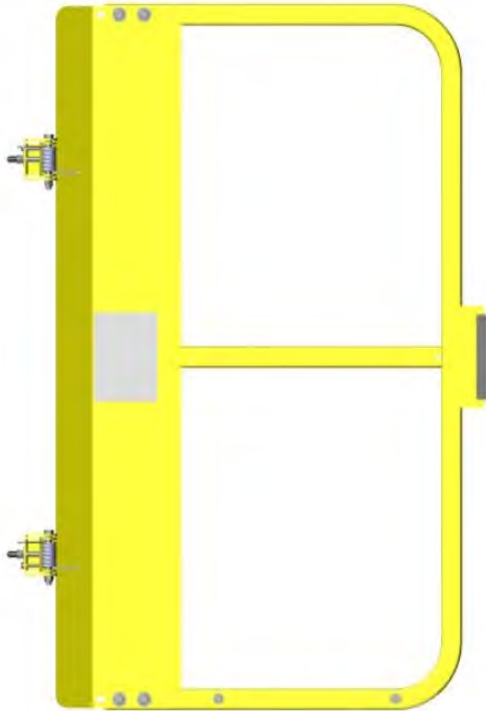
Unauthorized modification of or to this product voids the PS DOORS limited warranty. Accordingly, you can expect any request for warranty repair to be charged to you, if the product requires service after unauthorized modification. Authorized modifications, received in writing from PS DOORS, as long as the modification is accomplished in strict accordance with PS DOORS' instructions, does not void warranty. Contact PS DOORS to request product modifications.

PS DOORS SHALL NOT BE LIABLE FOR ANY CONSEQUENTIAL OR INCIDENTAL DAMAGES. WARRANTY DOES NOT APPLY TO ANY DAMAGE OR DETERIORATION CAUSED BY MODIFICATION, ABUSE, APPLIED PAINT FAILURE OR FAILURE TO PROVIDE REASONABLE AND NECESSARY MAINTENANCE.

All other warranty's expressed or implied including any warranty of merchantability, are expressly excluded. Some states do not allow the exclusion or limitation of consequential or incidental damages, so the above limitation or exclusions may not apply to you. This warranty gives you specific legal rights, and you may also have other rights, which vary, from state to state.

Installing Full Height Ladder Safety Gate

Inventory carton to ensure all parts are present for assembly/installation. Refer to part list below.



(1) Full Height Ladder Safety Gate (pre-assembled)



(1) 5" Safety Toe Board



(1) Hardware bag



(1) Installation and Maintenance Manual

Recommended Tools:

1. One (1) 1/2" Deep-well Socket and Ratchet
2. One (1) Impact Drill with 3/8" Nut Driver
3. One (1) Tape Measure

| ITEM NUMBER | DESCRIPTION | QUANTITY |
|-------------|---------------------------------|----------|
| 9 | Washer; Flat 5/16" | 8 |
| 4 | Nut; Nylock 5/16" x 18" | 8 |
| 13 | Screw; Hex #14-1" | 3 |
| 11 | U Bolt; 5/16" 18x1 | 2 |
| 12 | LSG; Plastic Cap for 5/16" Bolt | 4 |
| 16 | LSGF; 5" Toeboard | 1 |

IV. Installation Site Preparation

- A. Clear work area of any debris.
- B. Ensure you have the necessary tools available.

V. Installation Safety Precautions

- A. Comply with all OSHA and ANSI Safety Regulations and/or company safety policies when installing.

▲ DANGER Ensure area below installation is blocked off from personnel during installation, and mounting surface is capable of supporting all loading. Structural analysis of mounting surface is the responsibility of the owner.

Installing on Standard Railing

VI. Installing a Full Height Ladder Safety Gate on a standard railing. (Railing up to 2" O.D. round or 1.5" square.)

NOTICE Refer to parts list on page 2 for part item numbers.

Step 1. Using screws (item #13, 16), attach the toe board flush to the bottom of the gate.

Step 2. Loosely attach the gate to existing railing with U-bolts. Do not tighten, additional adjustments may be required. (item #4,9,11)

Illustration 1.

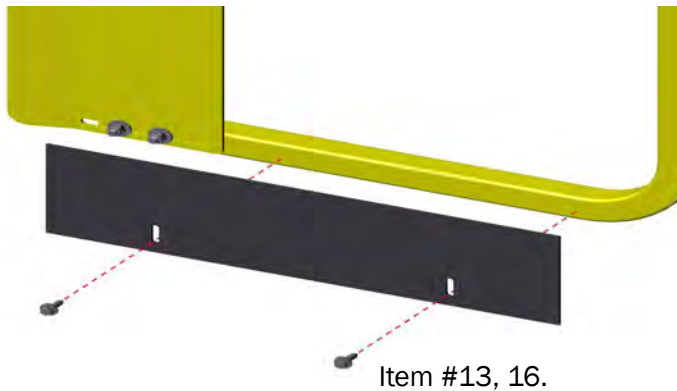
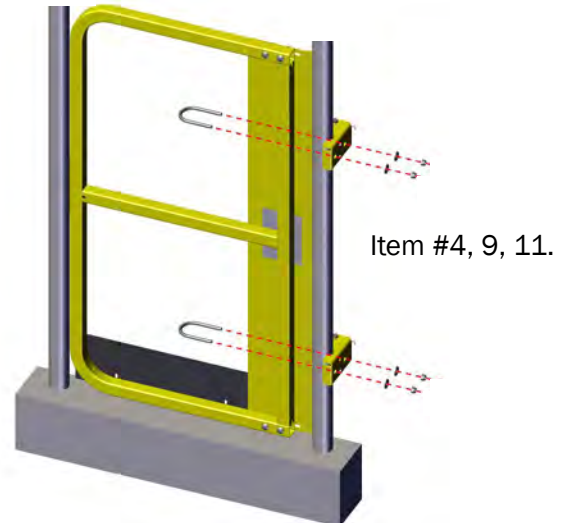


Illustration 2.



Step 3. Lift gate and align top of safety gate with top of railing.

Step 4. Align top mounting bracket to be perpendicular (90°) to gate and opening. Tighten U-bolts. Repeat for bottom mounting bracket.

Illustration 3.

Align gate to the top of the railing

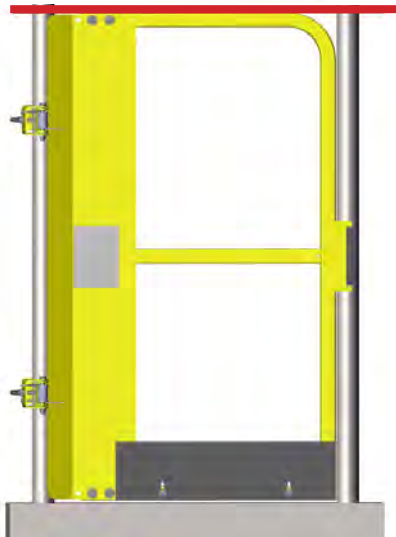
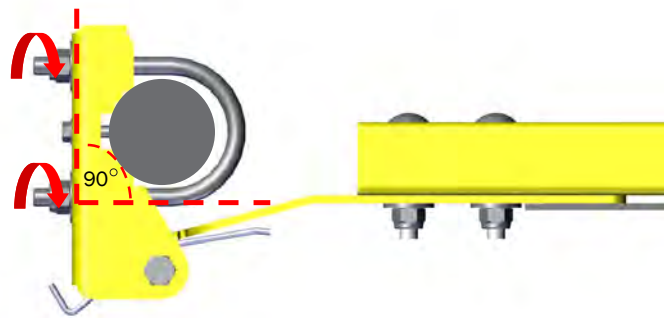


Illustration 4.

Top View

CRITICAL: Ensure all bolts/nuts are tight.



Installing on Standard Railing

Step 5. Loosen and adjust the gate arm hoop to proper size. Ensure strike plate overlaps and contacts vertical railing (allowing for 1/4" maximum clearance).

Step 6. Adjust the toeboard to be 1/4" above the floor surface.

Illustration 5.

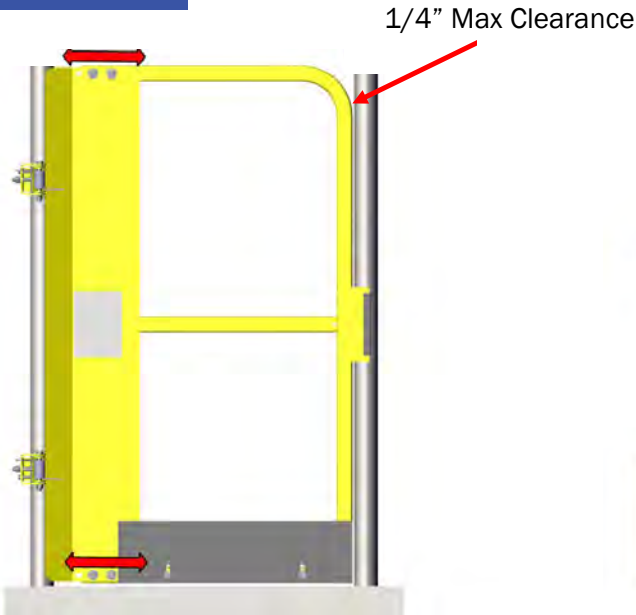
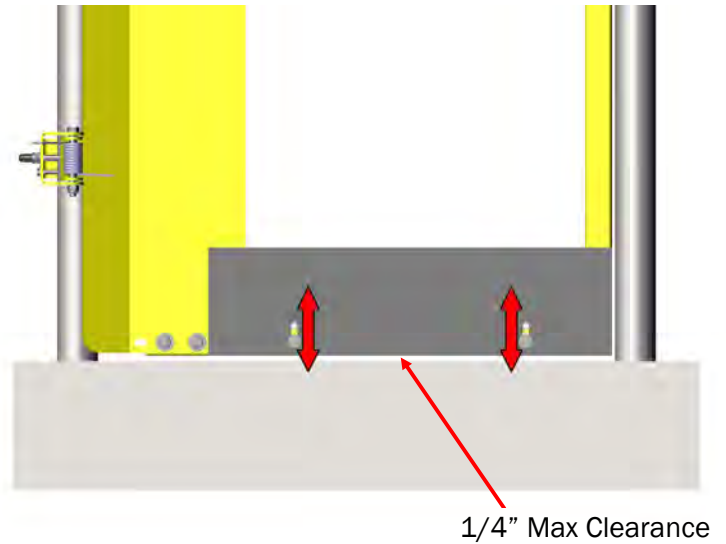


Illustration 6.



Step 7. Operate gate through full swing range to check for proper alignment.

Step 8. Install four plastic protective thread caps (item #12).

Illustration 7.

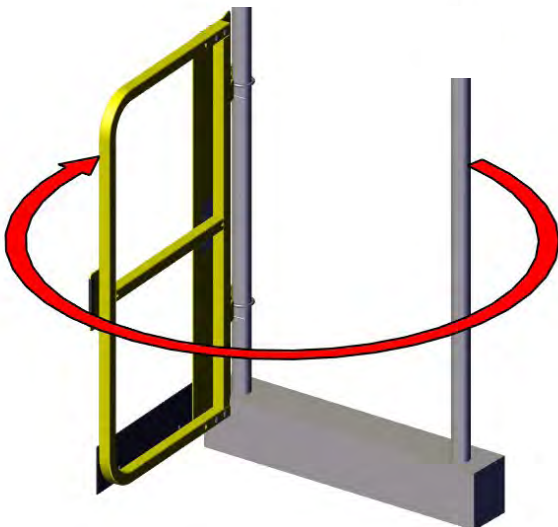
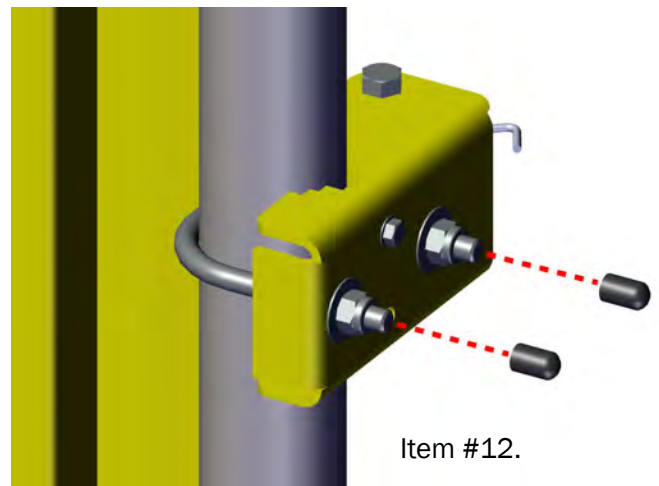


Illustration 8.



Installing on Angle Iron Railing

VII. Direct mount installation on angle iron railing.

Step 1. Using screws (item #13, 16), attach the toe board flush to the bottom of the gate.

Step 2. Align the Ladder Safety Gate railing/mounting bracket flush to the inside of the angle iron. Then, align the top of the Ladder Safety Gate to match top of railing.

Step 3. Match drill two, 3/8" holes (one per hinge bracket).

NOTICE PS DOORS offers "no drill" adapter kits for large diameter pipe, angle iron and flat bar railings.

Step 4. Mount Ladder Safety Gate with appropriate mounting fasteners, NOT provided.

Recommended Hardware: At a minimum use 5/16", grade 5 hex head bolts of appropriate length with washers and self-locking nuts.

Step 5. Adjust hoop/gate arm to proper opening width by selecting any combination of two of the three carriage bolt holes at connection point for hinge plate and hoop/gate arm. Insure stop plate overlaps and contacts adjacent vertical column of railing system allowing for 1/4" maximum of clearance.

Step 6. Operate gate through full swing range to check for proper alignment.

Step 7. Tighten ALL mounting bolts and carriage bolts. Field verify installation.

Installing on Flat Bar Railing or Wall Surface

VIII. Direct mount installation on flat bar railing or flat wall surface.

Step 1. Using screws (item #13, 16), attach the toe board flush to the bottom of the gate.

Step 2. Align the Ladder Safety Gate railing/mounting bracket flush to the flat surface/wall.. Then, align the top of the Ladder Safety Gate to match top of railing. If no railing, adjust top of hoop/gate arm to 42" above walking surface.

Step 3. Match drill two, 3/8" holes (one per hinge bracket).

NOTICE PS DOORS offers "no drill" adapter kits for large diameter pipe, angle iron and flat bar railings.

Step 4. Mount Ladder Safety Gate with appropriate mounting fasteners, NOT provided.

Recommended hardware for mounting to flat bar railing: At a minimum use 5/16", grade 5 hex head bolts of appropriate length with washers and self-locking nuts.

Recommended hardware for mounting to a wall: At a minimum use mechanical or chemical fastener, sized appropriately, for mounting material and loading requirements.

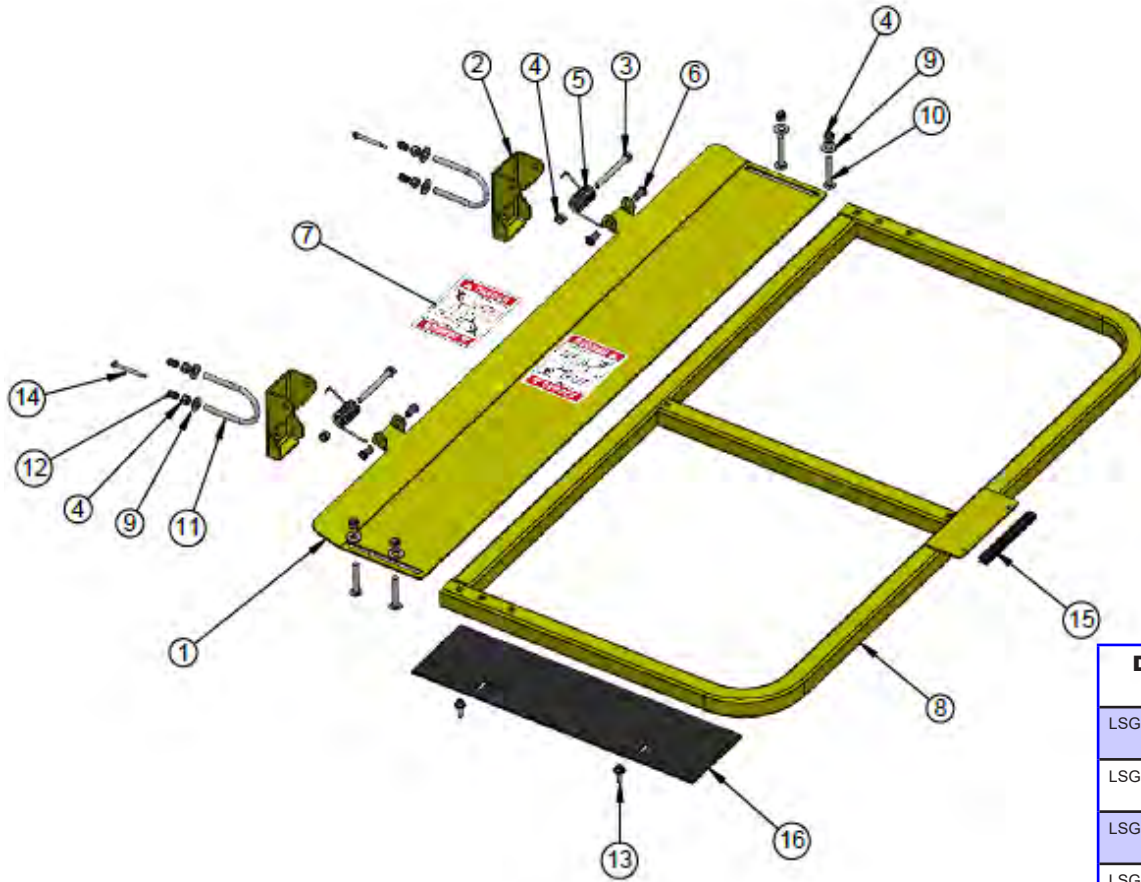
Step 5. If no stop surface is available for the stop plate to rest against, install stop surface (NOT PROVIDED), using appropriate anchoring hardware and material, to align with the stop plate.

Step 6. Adjust hoop/gate arm to proper opening width by selecting any combination of two of the three carriage bolt holes at connection point for hinge plate and hoop/gate arm. Insure stop plate overlaps and contacts adjacent vertical column of railing system allowing for 1/4" maximum of clearance.

Step 7. Operate gate through full swing range to check for proper alignment.

Step 8. Tighten ALL mounting bolts and carriage bolts. Field verify installation.

Parts Diagram



(B) LSGF-HOOP

| DESCRIPTION | PART # |
|-----------------------|--------|
| LSGF; HOOPWELD-18-PCY | 513150 |
| LSGF; HOOPWELD-21-PCY | 513151 |
| LSGF; HOOPWELD-24-PCY | 513152 |
| LSGF; HOOPWELD-27-PCY | 513153 |
| LSGF; HOOPWELD-30-PCY | 513154 |
| LSGF; HOOPWELD-33-PCY | 513155 |
| LSGF; HOOPWELD-36-PCY | 513156 |
| LSGF; HOOPWELD-18-GAL | 511864 |
| LSGF; HOOPWELD-21-GAL | 511865 |
| LSGF; HOOPWELD-24-GAL | 511866 |
| LSGF; HOOPWELD-27-GAL | 511867 |
| LSGF; HOOPWELD-30-GAL | 511868 |
| LSGF; HOOPWELD-33-GAL | 511869 |
| LSGF; HOOPWELD-36-GAL | 511870 |
| LSGF; HOOPWELD-18-SS | 513175 |
| LSGF; HOOPWELD-21-SS | 513176 |
| LSGF; HOOPWELD-24-SS | 513177 |
| LSGF; HOOPWELD-27-SS | 513178 |
| LSGF; HOOPWELD-30-SS | 513179 |
| LSGF; HOOPWELD-33-SS | 513180 |
| LSGF; HOOPWELD-36-SS | 513181 |

| ITEM # | DESCRIPTION | QTY. | PCY | GAL | SS |
|--------|---------------------------------|------|-------------|-------------|-------------|
| 1 | LSGF; HINGE PLATE | 1 | 513157 | 511897 | 513197 |
| 2 | LSGF; RAILING BRACKET | 2 | 501006 | 501004 | 501007 |
| 3 | BOLT; HEX 5/16" 18x3 | 2 | 500431 | 500431 | 500433 |
| 4 | NUT; NYLOCK 5X16" | 10 | 501126 | 501126 | 501121 |
| 5 | LSG; TORSION SPRING | 2 | 501659 | 501659 | 501659 |
| 6 | BEARING; G 300 FLANGE, .3125ID | 4 | 509753 | 509753 | 509753 |
| 7 | DECAL; ANSI DANGER | 2 | 500569 | 500569 | 500569 |
| 8 | LSGF; HOOPWELD | 1 | SEE CHART B | SEE CHART B | SEE CHART B |
| 9 | WASHER; FLAT 5/16" | 8 | 501949 | 501949 | 501948 |
| 10 | BOLT; CARRIAGE 5/16" 18X1 PIPE | 2 | 500326 | 500326 | 509980 |
| 11 | BOLT; U 5/16" 18X2" | 2 | 500461 | 500461 | 500459 |
| 12 | LSG; PLASTIC CAP FOR 5/16" BOLT | 4 | 500932 | 500932 | 500932 |
| 13 | SCREW; HEXSHRSEAL #14X1" | 3 | 503745 | 503745 | 513264 |
| 14 | SCREW; HEXDRILL 14X2" | 2 | 506020 | 506020 | 506020 |
| 15 | LSG; STRIKE PLATE TRIM 5" | 1 | 513076 | 513076 | 513076 |
| 16 | LSGF; TOEBOARD | 1 | SEE CHART A | SEE CHART A | SEE CHART A |

(A) LSGF-TOEBOARD

| DESCRIPTION | PART # |
|--------------------|--------|
| LSGF; TOEBOARD -18 | 513143 |
| LSGF; TOEBOARD-21 | 513144 |
| LSGF; TOEBOARD-24 | 513145 |
| LSGF; TOEBOARD-27 | 513146 |
| LSGF; TOEBOARD-30 | 513147 |
| LSGF; TOEBOARD-33 | 513148 |
| LSGF; TOEBOARD-36 | 513149 |