

LADDER SAFETY GATE

Installation Instructions/Operation and Maintenance Manual



Models:

All Models:
LSF-15 to LSG-48

Table of Contents:

Product Information	2
Inspection and Maintenance.....	2
Warranty Certificate	3
Installation Instructions.....	4
Parts Diagram	9

Contact Information

Mail PS Safety Access 1150 South 48th Street Grand Forks, ND 58201	Local Phone 701.746.4519	Website pssafetyaccess.com	Hours of Operation 8 A.M. to 5 P.M. CT Monday – Friday
	Toll Free Phone 877.446.1519	Email 4psinfo@psdoors.com	

IMPORTANT! Read entire Instruction and Operations Manual to become familiar with the product.

NOTICE This product is a fall protection product. The effectiveness of the product is directly related to the proper installation and operation of this product. Failure to properly maintain this product **will** affect performance.

Publication Notice

This manual has been compiled and published covering the latest product descriptions and specifications.

The contents of this manual and the specifications of this product are subject to change without notice.

PS Safety Access reserves the right to make changes without notice in the specifications and materials contained herein and shall not be responsible for any damages (including consequential) caused by reliance on the materials presented, including but not limited to typographical and other errors relating to the publication.

PS Safety Access and/or its respective suppliers may make improvements and/or changes in the product(s)/ service(s) offered and/ or the program(s) at any time without notice.

Retain this manual for future reference.

If you would like to download a copy of this manual, please go to pssafetyaccess.com



Product Information

I. General Information

- A. This manual contains information regarding installation, operation, and maintenance of the Ladder Safety Gate (PCY, GAL, SS, SS-SW and ALU.)
- B. There are variations of the Ladder Safety Gate hinge plate. If you have a LSG that is between 15” and 36”, it will have 2 hinges attached to the hinge plate. If your gate is between 40” and 48”, it will have 3 hinges attached to the hinge plate. Although these gates are designed differently, all PS DOORS Ladder Safety Gates should follow the installation instructions and operators manual.

II. Storage Prior To Installation of Product

- A. Store materials in a dry, ventilated location. If outdoor storage is required, block materials and tarp in a tent-like arrangement, elevated above the product with open sides to allow airflow.

NOTICE Before beginning any portion of the site preparation and installation of the Ladder Safety Gate, read the entire manual and review all Installation Instructions thoroughly.

Inspection and Maintenance

III. Inspection and Maintenance

- A. Fasteners and mechanical connections: All fasteners must be in place and adjusted to their original design standards. Replace any damaged components. Check for broken springs periodically to ensure proper functionality. Replace as necessary.
- B. Finishes: touch up and repair as necessary.
- C. Label: Replace if missing or illegible.

NOTICE Unauthorized modification of or to the Product voids this Limited Warranty. Authorized modifications, received in writing from PS DOORS, as long as the modification is accomplished in strict accordance with PS DOORS’ instructions, does not void warranty. To request product modifications contact PS DOORS, 1150 S. 48th Street, Grand Forks, ND 58201, phone 877-446-1519, email: 4psinfo@psdoors.com

PS DOORS – LIMITED WARRANTY

Limited Warranty: Subject to the terms of this Limited Warranty, Production Specialties Corporation, doing business as PS DOORS (“PS DOORS”) warrants to the original user or consumer (the “Owner”) of a PS DOORS product (the “Product”) that, for a period of one (1) year from date of shipment, the Product will be free from defects in material and workmanship under normal use and service, and provided the Product is installed, operated and maintained in accordance with instructions supplied by PS DOORS. The terms and limitations of this Limited Warranty apply to all repaired or replacement Products for a term equal to the balance of the warranty remaining on the Product that was repaired or replaced as of the date of such repair or replacement.

PS Flood Barriers™ Product Warranty Registration: For PS DOORS Flood Barrier™ Products, this Limited Warranty will only be valid if the Owner completes the Warranty Registration Form provided within thirty (30) days of Product installation. To request a copy of the Warranty Registration Form, contact PS DOORS, 1150 S. 48th Street, Grand Forks, ND 58201, phone 877-446-1519, email: 4psinfo@psdoors.com. Additional Warranty Registration Forms can be downloaded at www.psfloodbarriers.com/download-center/

Warranty Exclusions: Notwithstanding anything to the contrary, this Limited Warranty does not cover any of the following:

1. Normal wear and tear (including, but not limited to, normal wear and tear to gaskets and weather seals); damage or accidents resulting from freight damage, from failure to follow precautionary safety measures, or applied paint failure; abuse, misuse or unauthorized modification of the Product; misapplication; improper installation; or any defects, damage or other harm that is not the result of the acts or omissions of PS DOORS.
2. Cost of field labor or other charges incurred by Owner in removing and/or re-affixing the Product or any part or component thereof.
3. Transportation costs.

Unauthorized modification of or to the Product voids this Limited Warranty. Authorized modifications, received in writing from PS DOORS, as long as the modification is accomplished in strict accordance with PS DOORS’ instructions, does not void warranty. To request product modifications contact PS DOORS, 1150 S. 48th Street, Grand Forks, ND 58201, phone 877-446-1519, email: 4psinfo@psdoors.com.

Claim Procedure: To make a claim under this Limited Warranty, the claim must be received by PS DOORS before the expiration of the above stated Limited Warranty period together with proof of purchase. Contact PS DOORS at the address shown below.

PS DOORS	Toll Free: 877-446-1519
Attention: Warranty	Phone: 701-746-4519
1150 S. 48th Street	Fax: 701-746-8340
Grand Forks, ND 58201	E-mail: 4psinfo@psdoors.com

An authorized PS DOORS representative must be given a reasonable opportunity to inspect and investigate the alleged Product defect prior to any work being done that affects the Product or its installation. PS DOORS reserves the right to charge reasonable amounts for travel and labor associated with investigation of claims. PS DOORS may also require photographs of the alleged Product defect or return of the Product or part to a designated PS DOORS location, freight prepaid. A return goods authorization must be received prior to the return of the Product or part. Please contact PS DOORS to determine the designated location for return and to obtain the return material authorization.

Exclusive Remedy: In the event of a warranty claim that PS DOORS determines to be covered by this Limited Warranty, PS DOORS will replace or repair, at PS DOORS’ discretion, the Product or any part of the Product found to be defective.

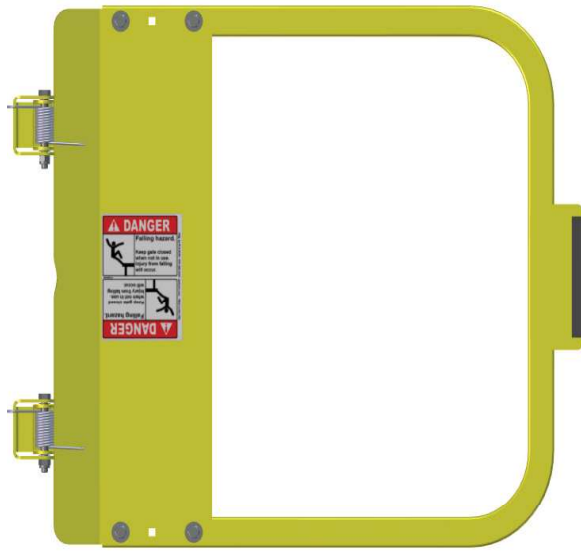
Disclaimers: The above warranty and remedy is the sole express warranty and remedy given by PS DOORS on its Product. No warranties or representations at any time made by any representative from PS DOORS shall vary or expand the provisions hereof. TO THE EXTENT PERMITTED BY LAW, ALL EXPRESS AND IMPLIED WARRANTIES (INCLUDING IMPLIED WARRANTIES OF MERCHANTABILITY, FITNESS FOR A PARTICULAR PURPOSE AND NON-INFRINGEMENT) OTHER THAN THE EXPRESS LIMITED WARRANTY SET FORTH ABOVE ARE EXPRESSLY DISCLAIMED. UPON THE EXPIRATION OF THE ABOVE STATED LIMITED WARRANTY PERIOD, ANY AND ALL APPLICABLE IMPLIED WARRANTIES, INCLUDING, WITHOUT LIMITATION, WARRANTIES OF MERCHANTABILITY, FITNESS FOR A PARTICULAR PURPOSE AND NON-INFRINGEMENT, ARE DISCLAIMED. SOME STATES DO NOT ALLOW LIMITATION ON HOW LONG AN IMPLIED WARRANTY LASTS, SO THE ABOVE LIMITATION MAY NOT APPLY TO OWNER.

LIABILITY LIMITATION: In no event will PS DOORS’ liability to Owner or any other person or entity exceed the price paid to PS DOORS for the defective Product. IN NO EVENT SHALL PS DOORS BE LIABLE TO OWNER OR ANY OTHER PERSON OR ENTITY FOR INCIDENTAL, CONSEQUENTIAL, INDIRECT OR SPECIAL DAMAGES OF ANY DESCRIPTION, WHETHER ARISING OUT OF WARRANTY (INCLUDING ANY IMPLIED WARRANTIES) OR ANY OTHER CONTRACT, STRICT LIABILITY, NEGLIGENCE OR OTHER TORT, OR OTHERWISE, INCLUDING ARISING FROM INSPECTION OR REMEDY DELAYS. SOME STATES DO NOT ALLOW THE EXCLUSION OR LIMITATION OF INCIDENTAL OR CONSEQUENTIAL DAMAGES, SO THE ABOVE LIMITATION AND EXCLUSION MAY NOT APPLY TO OWNER.

THIS WARRANTY GIVES OWNER SPECIFIC LEGAL RIGHTS AND OWNER MAY ALSO HAVE OTHER RIGHTS, WHICH VARY FROM STATE TO STATE.

Installing Ladder Safety Gate

NOTE: Inventory carton to ensure all parts are present for assembly/installation. Refer to part list below.



(1) Ladder Safety Gate
(pre-assembled)



(1) Hardware bag



(1) Installation Instructions/
Operations and Maintenance
Manual

Ladder Safety Gate Part List (As shipped)

ITEM NUMBER	DESCRIPTION	QUANTITY
4	Washer; Flat 5/16"	4 [6*]
5	Nut; Nylock 5/16" x 18"	4 [6*]
8.6	Screw; Hex #14-1"	4
8.2	U Bolt; 5/16" 18x1	2 [3*]
8.4	LSG; Plastic Cap for 5/16" Bolt	4 [6*]
8.6	Screw; Hex Drill 14x2 (Stop block kit)**	4
8.7	UHMWBLK, Support Block (Stop block kit)**	1

* Quantity for 3-hinge variants.

** For models LSG-30 to LSG-48 only.

Recommended Tools:

1. One (1) 1/2" Deep-well Socket and Ratchet
2. One (1) Wrench set
3. One (1) Tape Measure
4. One (1) Torque Wrench
5. One (1) Impact Drill w/ 3/8" Nut Driver

V. Installation Site Preparation

- A. Clear work area of any debris.
- B. Ensure you have the necessary tools available.

VI. Installation Safety Precautions

- A. Comply with all OSHA and ANSI Safety Regulations and/or company safety policies when installing.

▲ DANGER Ensure area below installation is blocked off from personnel during installation, and mounting surface is capable of supporting all loading. Structural analysis of mounting surface is the responsibility of the owner.

Installing on Standard Railing

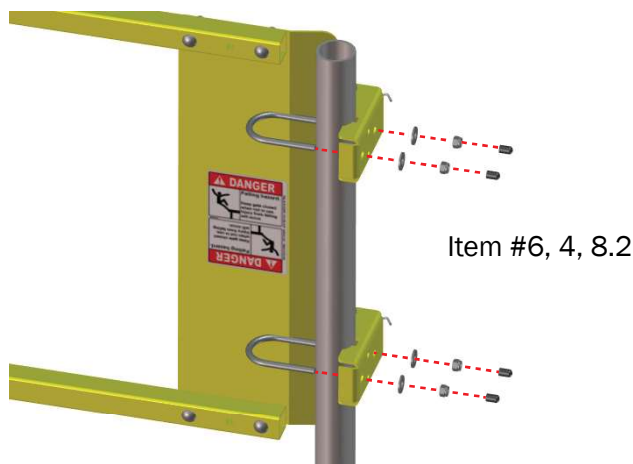
VII. Installing a ladder safety gate on a standard 2" O.D. railing (Railing up to 2" O.D. round or 1.5" x 1.5" square.)

NOTICE Refer to parts list on page 2 for part item numbers.

Step 1. Loosely attach the Ladder Safety Gate railing/mounting bracket to vertical column of railing with provided U-bolts. Do not tighten, additional adjustment may be required.

Step 2. Adjust top of safety gate to align with top of railing.

Step 1.
Illustration



Step 2.
Illustration



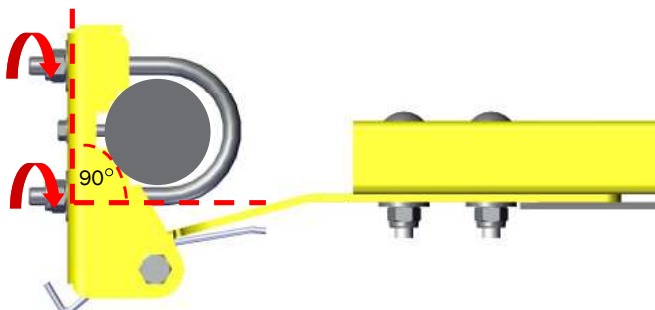
Step 3. Align railing/mounting bracket to be perpendicular (90°) to Ladder Safety Gate opening, tighten U-Bolts.

Step 4. Adjust hoop/gate arm to proper opening width by selecting any combination of two of the three carriage bolt holes at connection point for hinge plate and hoop/gate arm. Ensure stop plate overlaps and contacts adjacent vertical column of railing system allowing for 1/4" maximum of clearance.

Step 3.
Illustration

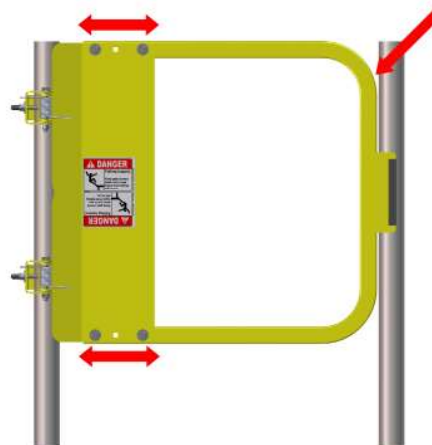
Top View

CRITICAL: Ensure all bolts/nuts are tight.



Step 4.
Illustration

1/4" Max Clearance

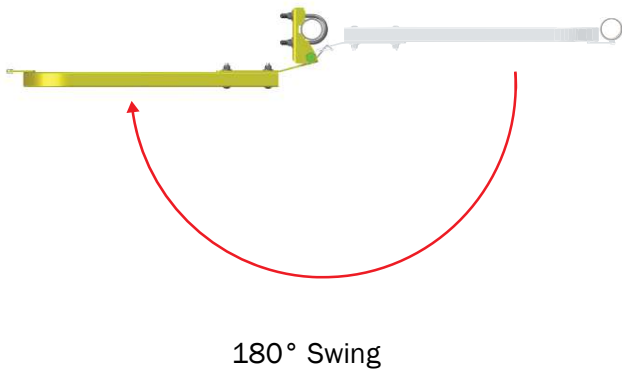


Installing on Standard Railing

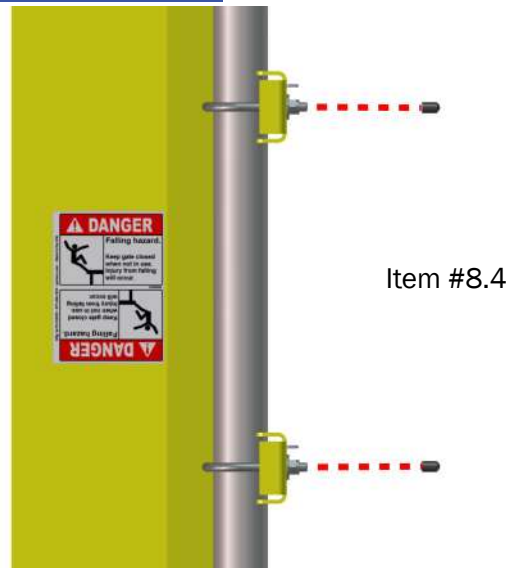
Step 5. Operate gate through full swing range to check for proper alignment.

Step 6. Tighten U-Bolts into final position. Install plastic protective thread caps (optional).

Step 5.
Illustration

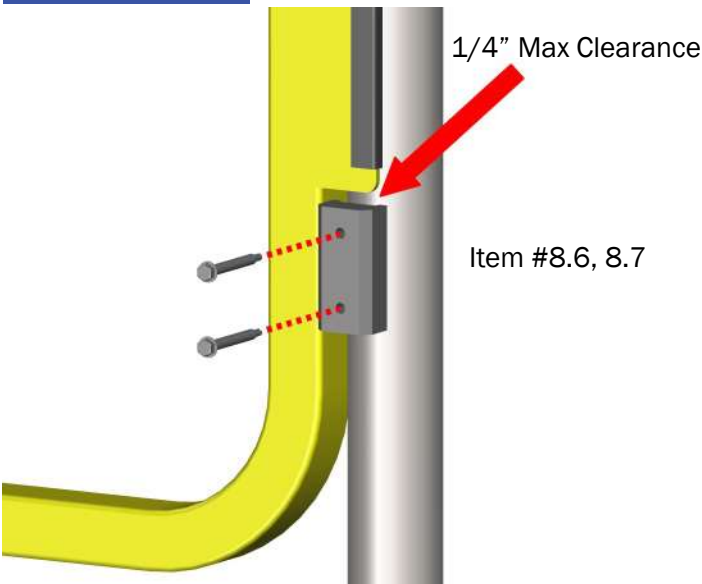


Step 6.
Illustration



Step 7. For Models LSG-30 - LSG-48 only, utilize provided self-drillers and fasten support block to railing.

Step 7.
Illustration



Installing on Angle Iron Railing

VIII. Direct mount installation on angle iron railing.

NOTICE If mounting your Ladder Safety Gate to angle iron railing: Gate bolts directly to existing railing (see below installation instructions). If you do not wish to drill into your existing railing system, call PS Safety Access at 877.446.1519 to order a “no drill” adapter bracket.

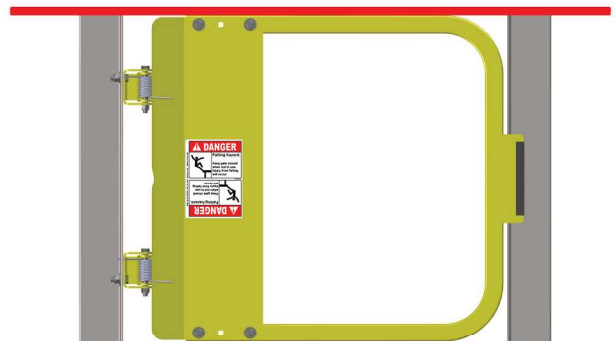
Step 1. Align the Ladder Safety Gate railing/mounting bracket flush to the inside of the angle iron.

Step 2. Align the top of the Ladder Safety Gate to match top of railing.

Step 1.
Illustration



Step 2.
Illustration



Step 3. Match drill two, 3/8” holes (one per hinge bracket).

Step 4. Mount Ladder Safety Gate with appropriate mounting fasteners. (NOT provided)

Step 3.
Illustration



Step 4.
Illustration



NOTICE Rest of gate not shown

NOTICE Hardware not included

Recommended Hardware: At a minimum use 5/16”, grade 5 hex head bolts of appropriate length with washers and self-locking nuts.

Step 5. Refer to steps 4-7 on page 4-5 for remainder of installation.

Installing on Flat Bar Railing or Wall Surface

IX. Direct mount installation on flat bar railing or flat wall surface.

NOTICE If mounting your Ladder Safety Gate to flat bar railing: Gate bolts directly to existing railing (see below installation instructions). If you do not wish to drill into your existing railing system, call PS Safety Access at 877.446.1519 to order a “no drill” adapter bracket.

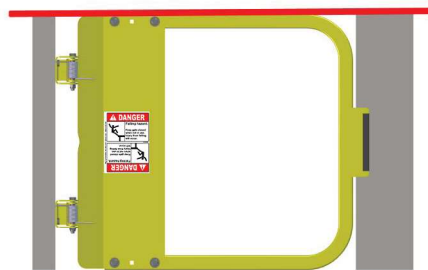
Step 1. Align the Ladder Safety Gate railing/mounting bracket flush to the flat surface/wall.

Step 2. Align the top of the Ladder Safety Gate to match top of railing.

Step 1.
Illustration



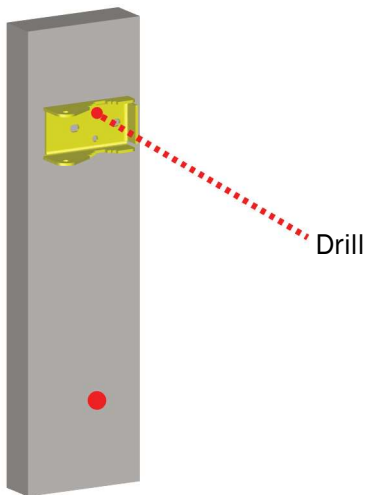
Step 2.
Illustration



Step 3. Match drill two, 3/8” holes (one per hinge bracket). If no railing, adjust top of hoop/gate arm to 42” above walking surface.

Step 4. Mount Ladder Safety Gate with appropriate mounting fasteners. (NOT provided)

Step 3.
Illustration



Step 4.
Illustration



Recommended hardware for mounting to flat bar railing:
At a minimum use $\frac{5}{16}$ ”, grade 5 hex head bolts of appropriate length with washers and self-locking nuts.

Recommended hardware for mounting to a wall: At a minimum use mechanical or chemical fastener, sized appropriately, for mounting material and loading requirements.

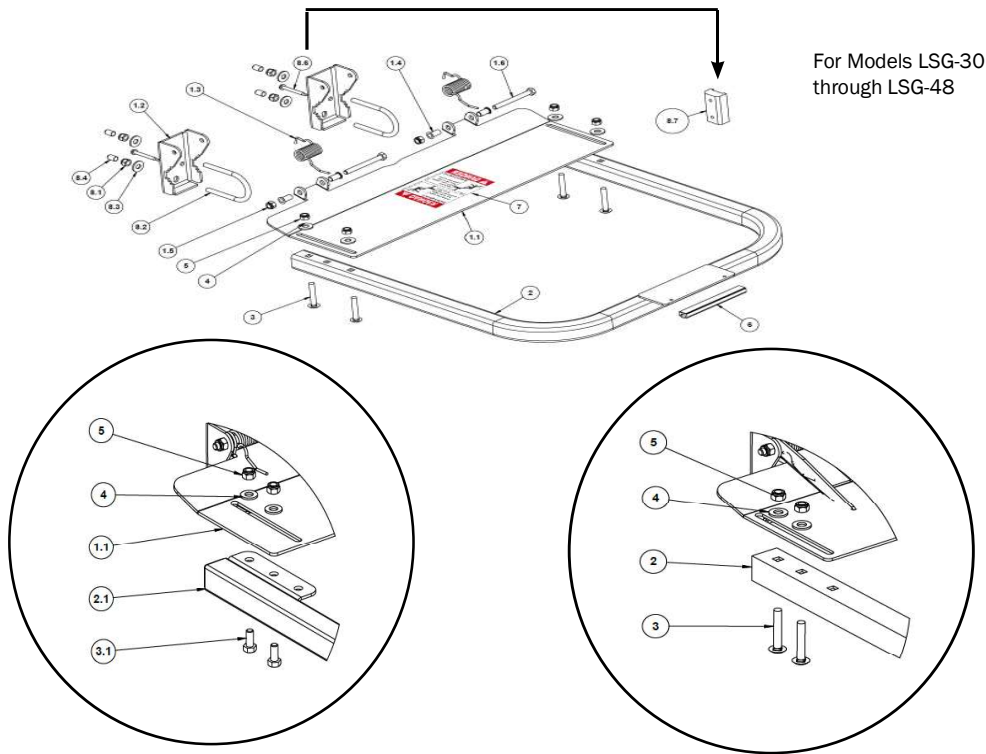
NOTICE Rest of gate not shown

Step 5. Refer to steps 4-7 on page 4-5 for remainder of installation.

NOTICE If no stop surface is available for the stop plate to rest against, install stop surface (NOT PROVIDED), using appropriate anchoring hardware and material, to align with the stop plate.

Parts Diagram

NOTE 2: This diagram is for PCY/GAL/SS Models. Hardware variants for SS-SW Model and ALU Model shown below



Hardware Variant for SS-SW Gates

Hardware Variant for ALUM Gates

SS	Stainless Steel
SS-SW	Stainless Steel- Seal Welded
PCY	Powder Coat Safety Yellow
GAL	Hot Dipped Galvanized
ALUM	Aluminum

Mounting hardware for all Stainless Steel gates is type 316 alloy

#	DESCRIPTION	Qty.	Gate Finish Type				
			SS	PCY	GAL	SS-SW	ALUM
1	LSG, Hinge Plate Assembly (2-hinge plate)	1	508233	502079	502078	502080	509816
1	LSG, Hinge Plate Assembly (3-hinge plate)	1	508234	502082	502081	502083	
1.1	LSG, Hinge Plate (2-hinge plate)	1	508230	500956	500954	500957	509789
1.1	LSG, Hinge Plate (3-hinge plate)	1	508232	500952	500951	500953	
1.2	LSG, Railing/Mounting Bracket	2 [3*]	501007	501006	501004	501007	501007
1.3	Spring; Torsion Spring, SST1+*	2 [3*]	501659	501659	501659	501659	501659
1.4	Bearing; G300 Flange, .3125ID	4 [6*]	509753	509753	509753	509753	509753
1.5	Nut; Nylock 5/16"-18	2 [3*]	501121	501126	501126	501121	501121
1.6	Bolt; Hex 5/16"-18 x 3"	2 [3*]	500433	500431	500431	500433	500433
2	LSG; Hoop/Gate Arm-XX	1	Part # dependent on size of gate. Consult Factory				
2.1	LSG; Hoop/Gate Arm Weldment	1				Consult Factory	
3	Bolt; Carriage 5/16"-18 x 2"	4	509980	500326	500326		509980

#	DESCRIPTION	Qty.	Gate Finish Type				
			SS	PCY	GAL	SS-SW	ALUM
3.1	Bolt; Hex 5/16" 18 x 3/4" SS	4				500430	
4	Washer; Flat 5/16"	4	501948	501949	501949	501948	501948
5	Nut; Nylock 5/16"-18	4	501121	501126	501123	501121	501121
6	WS; EPDM.4375" x.625"x5.0" DST	1	513632	513632	513632	513632	513632
7	Decal	2	500569 B+	500569 B+	500569 B+	500569 B+	500569 B+
8	LSG Hardware Bag (2-hinge plate)	1	502076	502075	502075	502076	502076
8	LSG Hardware Bag (3-hinge plate)	1	510976	502204	502204	510976	510976
8.1	Nut; Nylock 5/16"-18 4	4 [6*]	501121	501126	501126	501121	501121
8.2	Bolt; U 5/16" 18 x 1 1/2" Pipe	2 [3*]	500459	500461	500461	500459	500459
8.3	Washer; Flat 5/16"	4 [6*]	501948	501949	501949	501948	501948
8.4	LSG; Cap Plastic for 5/16" Bolt	4 [6*]	500932	500932	500932	500932	500932
8.5	LSG; Installation and O&M	1	509210	509210	509210	509210	509210
8.6	Screw; Hex Drill 14x2 (Stop block kit)	4	506072	506020	506020	506072	506072
8.7	UHMWBIK; Support Block (Stop block kit) (All games 30" and larger)	1	503632	503632	503632	503632	503632

* Quantity for 3-hinge plate variants
 **For replacement springs, order Torsion Spring Kit (part #511686.) Kit includes (1) LSG Torsion Spring, (2) Bushings and Installation Instructions.

**TO ORDER PARTS CONTACT PS SAFETY ACCESS AT
 877.446.1519 or 4psinfo@psdoors.com**



PS Access Solutions

The Ins And Outs Of Industry



PS Safety Access

We Won't Let You Down



PS Flood Barriers

Ideas That Hold Water

877.446.1519

4psinfo@psdoors.com | psdoors.com

1150 South 48th Street | Grand Forks, ND 58201