

**DOWNWARD MEZZANINE GATE
MEASURING GUIDE & ORDER FORM**

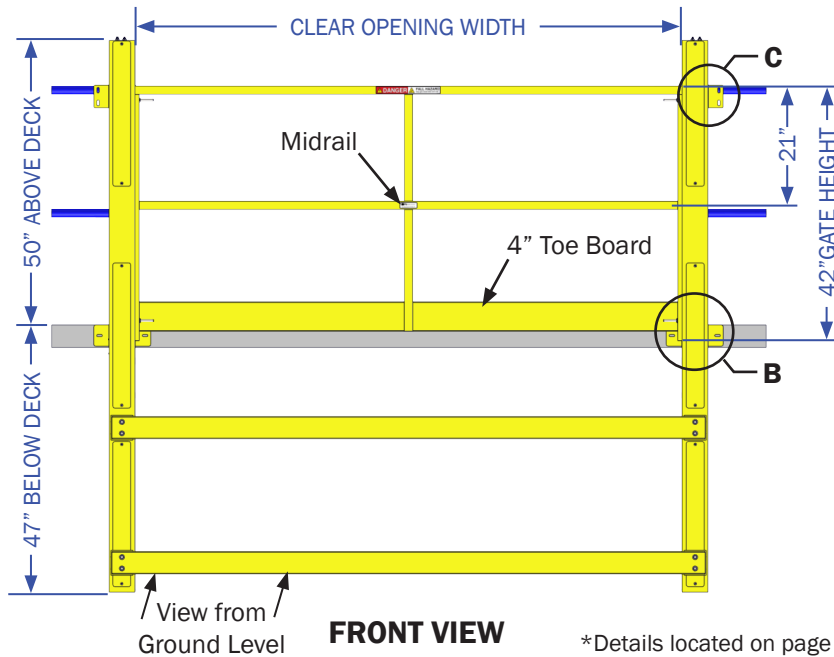
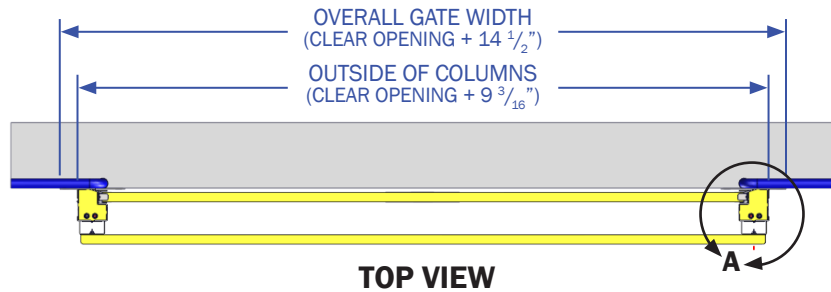


1150 S. 48TH STREET, GRAND FORKS, ND 58201
Phone: 701.746.4519 | **Toll Free:** 877.446.1519
Website: pssafetyaccess.com
Email: 4psinfo@psindustries.com

SAFEMEZZ®

Downward Gate

STOCK FINISH OPTION	
PCY	Powder Coat Safety Yellow



*Details located on page 2.

QUOTATION REQUESTED

MEZZANINE GATE ORDER

SOLD/QUOTE TO:

NAME: _____

COMPANY: _____

ADDRESS: _____

CITY, STATE, ZIP: _____

PHONE: _____ FAX: _____

EMAIL: _____

SHIP TO:

NAME: _____ DATE: _____

ADDRESS: _____ P.O.#: _____

CITY, STATE, ZIP: _____ TAG: _____

PHONE: _____ SHIP VIA: _____

*For orders or product inquiries please email 4psinfo@psindustries.com

GATE MODEL/SIZE	GATE MODEL/SIZE			GATE QTY	
	MODEL	CLEAR OPENING WIDTH	OUTSIDE OF COLUMNS WIDTH		OVERALL GATE WIDTH
	072097	72"	81 3/16"	86 1/2"	
	096097	96"	105 3/16"	110 1/2"	
	CUSTOM *MAX OF 192"				

OPERATION:

- PNEUMATIC/ELECTRIC
- PNEUMATIC/PNEUMATIC

ELECTRIC CONTROL OPTIONS:

- RADIO CONTROL KIT; KEYPAD (PN 511322)
- ADD'L TRANSMITTER; KEYPAD (PN 502918)
- SWITCH; CEILING PULL CORD (PN 501715)
- PHOTO-EYE KIT (ELECTRIC) (PN 511756)
- PHOTO-EYE KIT (PNEUMATIC/ ELECTRIC) (PN 511754)

MATERIAL FINISH:

- MILD STEEL (POWDER COAT SAFETY YELLOW)
- 304 STAINLESS STEEL (UNFINISHED/ MILL)

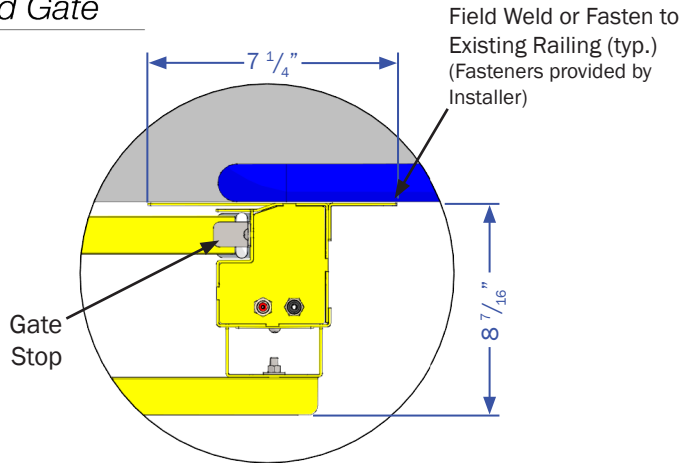
**DOWNWARD MEZZANINE GATE
MEASURING GUIDE & ORDER FORM**



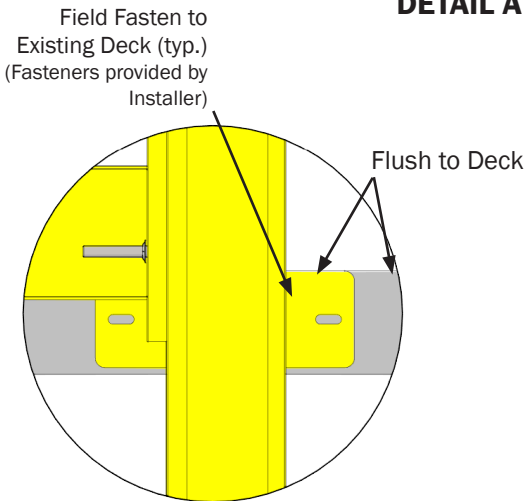
1150 S. 48TH STREET, GRAND FORKS, ND 58201
Phone: 701.746.4519 | **Toll Free:** 877.446.1519
Website: pssafetyaccess.com
Email: 4psinfo@psindustries.com

SAFEMEZZ®

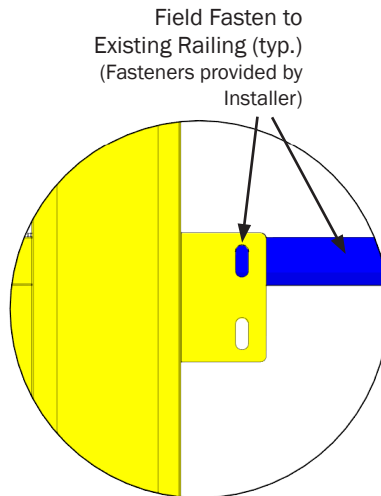
Downward Gate



DETAIL A



DETAIL B



DETAIL C

DOWNWARD SLIDING MEZZANINE GATE TECHNICAL DATA:

1. Operation:

- a. Pneumatic Operation/Electric Controls: Pneumatic Drive Cylinder requires 90-100 psi clean and dry air, provided by the installer. Operator control panel requires 115 VAC (24 VDC Secondary), 60 HZ, includes Timer-to-Close capability, and two (2) remotely located wall mount single push buttons. Includes Amber color WARNING strobe light, activates when gate is in operation
- b. Electric: Electric Drive Operation, 115 VAC, (24 VDC Secondary), 60 HZ, 1/3 HP. Operator control panel includes timer-to-close capability, obstruction sensing and one (1) three-button (Open-Stop-Close) control panel mounted push button station, and one (1) remotely located wall mount, secondary three-button push button. Includes Amber-colored WARNING strobe light, activates when gate is in operation.

2. Mounting Location:

- a. Face Mount

3. Gate Section: To be factory welded frame work with horizontal top rail. Includes mid-rail, 4" high toe board, 42" overall height, and vertical members not to exceed 8'0" on center. Gate shall meet or exceed Federal OSHA standard for standard railings at the time of manufacture relative to dimensions and loading. To be fabricated from one of the following:

- a. Mild Steel
- b. 304-2b Stainless Steel

4. Finish:

- a. Mild steel mezzanine gates; exposed surfaces to be Powder Coat Safety Yellow. Hardware/fasteners to be zinc plated.
- b. Stainless steel mezzanine gates (304-2b); mill finish, acid washed. Interfering welds ground smooth, not polished. Hardware/fasteners to be stainless steel.

5. Warranty: To be One (1) Year from date of shipment, finish excluded.

6. Available Options:

- a. Electric and Pneumatic Operation/Electric Controls: Remote Controls, includes one (1) Universal Co-Axial Receiver and one (1) keypad transmitter.
- b. Photo-eyes.
- c. Pull cord switch; gate systems with electric or pneumatic controls only.

7. Exclusions:

- a. All electric wiring or airline piping to and between all components by others.
- b. Due to variances in field conditions, it is the responsibility of the installer to ensure that the product is installed to mounting structure that is capable of supporting all imposed loading from the product. The installer is responsible for ensuring that the provided fastening hardware or field configured mounting arrangement is capable of supporting all field loads and meets applicable codes and regulations.