

# SAFEMEZZ®

## Horizontal Gate



### Installation Instructions/Operation and Maintenance Manual

**Models:**

Manual Models

**Table of Contents:**

Safety Precautions ..... 2

Product Information ..... 2

Operation ..... 3

Installation ..... 4

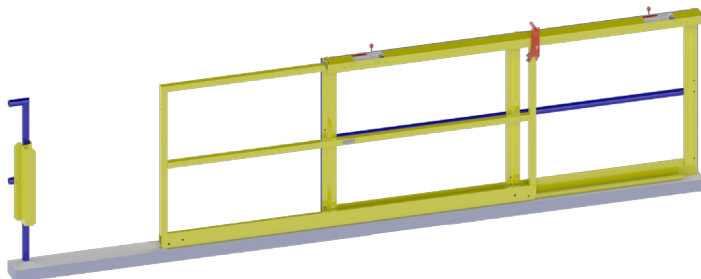
Installation of Optional Face Mount Track..... 14

Replacement Parts List ..... 15

Replacement Parts Diagram ..... 16

Inspection and Maintenance..... 17

Warranty Certificate ..... 19



### Contact Information

**Mail**  
 PS Safety Access  
 1150 South 48th Street  
 Grand Forks, ND 58201

**Local Phone**  
 701.746.4519

**Toll Free Phone**  
 877.446.1519

**Website**  
 pssafetyaccess.com

**Email**  
 4psinfo@psindustries.com

**Hours of Operation**  
 8 A.M. to 5 P.M. CT  
 Monday – Friday

**IMPORTANT!** Read entire Instruction and Operations Manual to become familiar with the product.

**NOTICE** This product is a fall protection product. The effectiveness of the product is directly related to the proper installation and operation of this product. Failure to properly maintain this product **will** affect performance.

**Publication Notice**

This manual has been compiled and published covering the latest product descriptions and specifications.

The contents of this manual and the specifications of this product are subject to change without notice.

PS Safety Access™ reserves the right to make changes without notice in the specifications and materials contained herein and shall not be responsible for any damages (including consequential) caused by reliance on the materials presented, including but not limited to typographical and other errors relating to the publication.

PS Safety Access and/or its respective suppliers may make improvements and/or changes in the product(s)/ service(s) offered and/or the program(s) at any time without notice.

Retain this manual for future reference.

If you would like to download a copy of this manual, please go to pssafetyaccess.com

Product registration is an essential step to protecting your product, register Online at psindustries.com/contact/register-your-product/



## Safety Precautions

The following icons are used throughout this Manual.

- ▲ DANGER** Indicates an imminently hazardous situation which, if not avoided, will result in death or serious injury.
- ▲ WARNING** Indicates a potentially hazardous situation which, if not avoided, could result in death or serious injury.
- ▲ CAUTION** Indicates a potentially hazardous situation which, if not avoided, may result in minor or moderated injury.
- NOTICE** Indicates manufacturer's statement of additional information.
- IMPORTANT!** Indicates a required action.
- CRITICAL** Indicates a vital component to product performance.

## Product Information

**NOTICE** Unauthorized modification of or to the product voids this Limited Warranty. Authorized modifications, received in writing from PS Industries® Incorporated, as long as the modification is accomplished in strict accordance with PS Industries' instructions, does not void warranty. To request product modifications contact PS Industries Incorporated, 1150 S. 48th Street, Grand Forks, ND 58201, phone 877-446-1519, email: 4psinfo@psindustries.com

### I. General Information

- A. This manual contains information regarding installation, operation, and maintenance of the PS Safety Access' SafeMezz® Horizontal Gate.
- B. PS Safety Access recommends that the owner implement a regular maintenance program to inspect the SafeMezz Horizontal Gate as necessary.

### II. Operation Guidelines

- A. The SafeMezz Horizontal Gate is designed to meet OSHA Railing Standard 1910.28 and 1910.29.
- B. Operation in a manner other than intended could result in damage or less than acceptable performance at time of need, for which the manufacturer will not be held responsible.

### III. Safety Precautions

- A. Ensure opening is clear of all obstructions through the entire proposed travel of the SafeMezz Horizontal Gate during operation.
- B. Comply with all OSHA and ANSI Safety Regulations and/or company safety policies when installing.

**▲ DANGER** Ensure area below installation is blocked off from personnel during installation, and mounting surface is capable of supporting all loading. Structural analysis of mounting surface is the responsibility of the owner.

### IV. Storage Prior to Installation of Product

- A. Store materials in a dry, ventilated location. If outdoor storage is required, block materials and tarp in a tent-like arrangement, elevated above the product with open sides to allow airflow.

### V. Installation Site Preparation

**NOTICE** Before starting site preparation and installation of the SafeMezz Horizontal Gate, read the entire Operation and Maintenance Manual and review all installation instructions thoroughly.

- A. Clear work area of any debris.
- B. Ensure you have the necessary tools available.
- C. Obtained all required permits.
- D. Personnel: Determine the appropriate number of personnel required to perform installation and have them readily available at the project site. (2-3 people recommended)

## Product Information

**NOTE:** Review inventory to ensure all parts are present for assembly/installation. Refer to part list below.

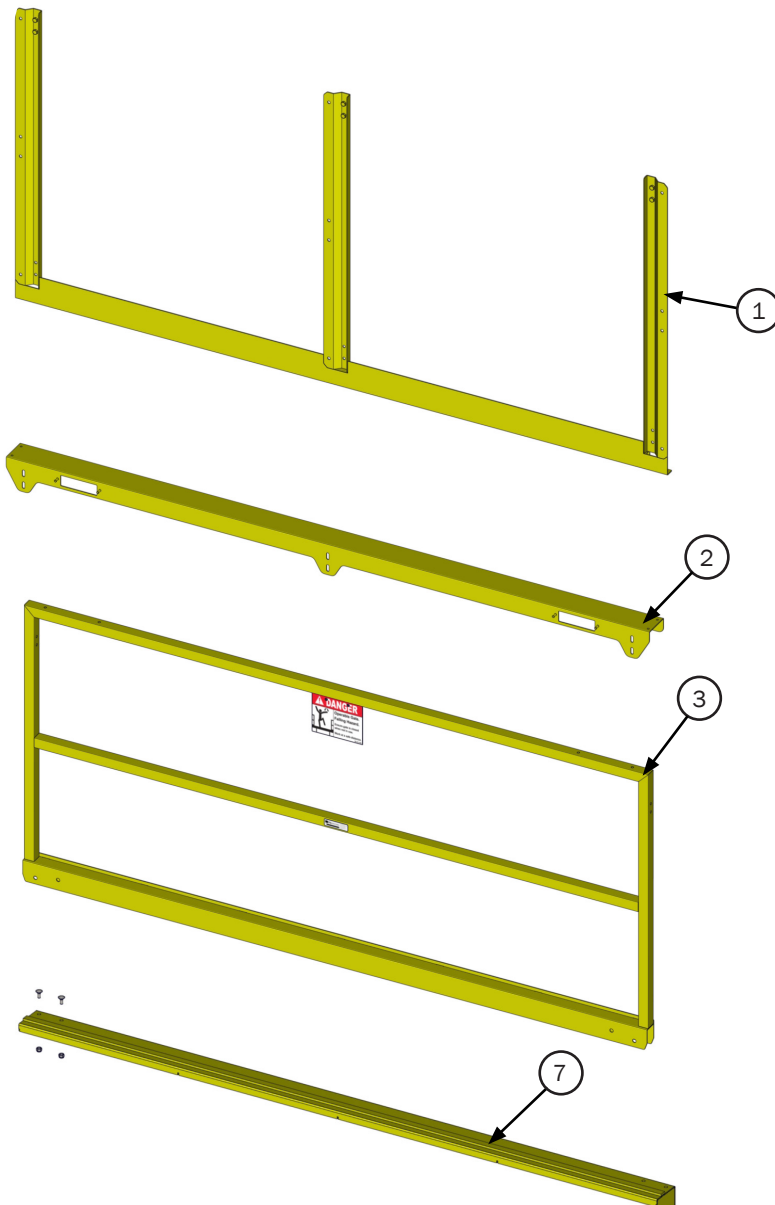
### Recommended Tools:

1. One (1) Phillips Screwdriver
2. One (1) Flathead Screwdriver
3. One (1) Pliers
4. One (1)  $\frac{7}{16}$ " Wrench
5. One (1)  $\frac{1}{2}$ " Wrench
6. One (1)  $\frac{9}{16}$ " Wrench
7. One (1) Tape Measure
8. One (1) Level
9. Depending on anchoring configuration, additional tools may be required.

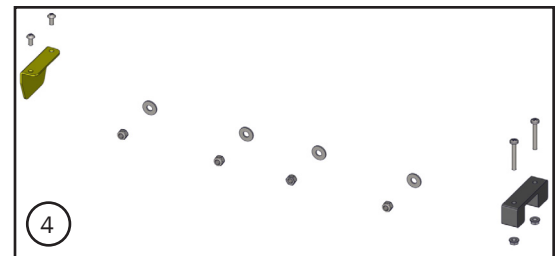
### Horizontal Mezzanine Gate Part List

ITEM #	DESCRIPTION	QTY
1	MGH;TRACK ASSEMBLY-PCY	1
2	MGH;SHROUD ASSEMBLY-PCY	1
3	MGH;GATE ASSEMBLY-PCY	1
4	TRACK SHROUD HARDWARE KIT	1
5	GATE HARDWARE KIT	1
6	MANUAL HARDWARE KIT	1
7	FACE MOUNT TRACK KIT*	1

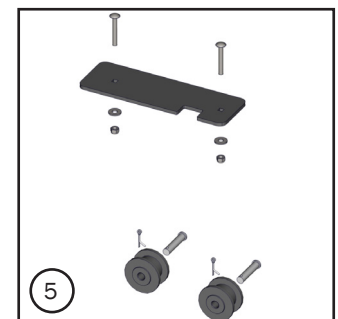
\*Required for Face Mount locations only.



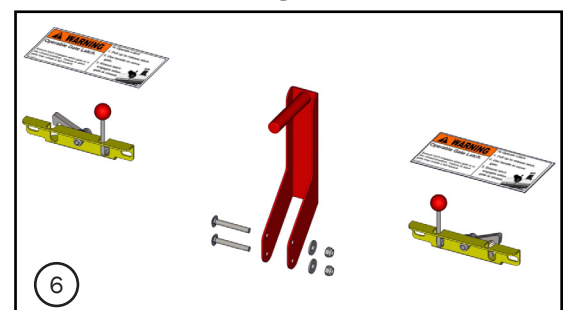
### TRACK SHROUD KIT



### GATE KIT



### MANUAL KIT



# Installation

## VI. Installation

A. Please select the attributes you wish to use, this will help for future reference.

**Slide Direction:**       Slide Right to Open (+)       Slide Left to Open (-)

**Gate Mounting:**       Deck Mount       Face Mount (Optional)

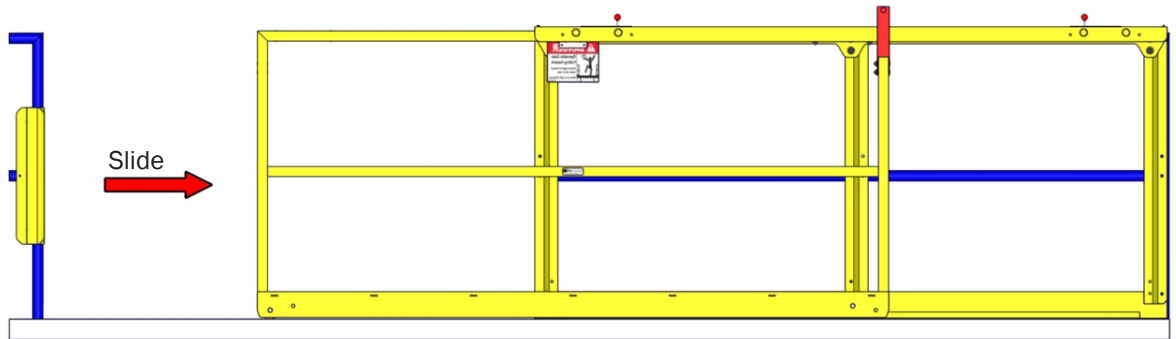
### STEP 1. Determine your Slide Direction.

a. Look up at the Mezzanine from the ground level to determine what slide direction will be needed.

**CRITICAL** Your gate should open in the direction that allows the most room for operation.

### Step 1 Illustration A

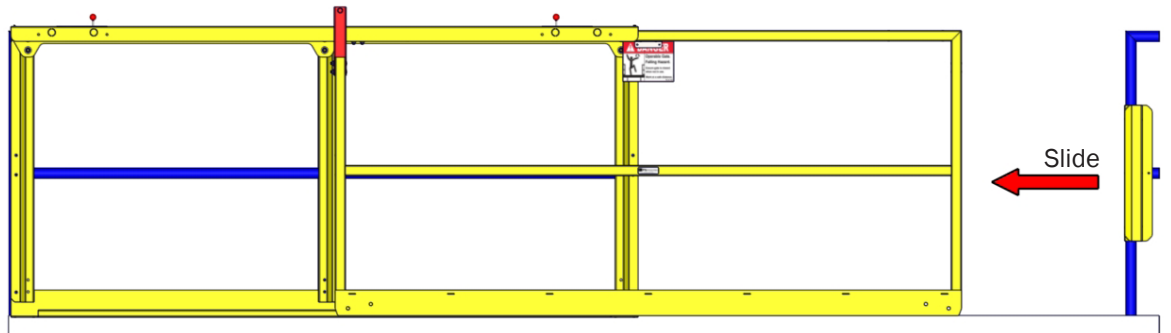
**SLIDE DIRECTION:**  
*RIGHT*



**IMPORTANT!** If you have chosen *RIGHT*, you will install your gate using the holes marked with a (+) sign.

### Step 1 Illustration B

**SLIDE DIRECTION:**  
*LEFT*



**IMPORTANT!** If you have chosen *LEFT*, you will install your gate using the holes marked with a (-) sign.

# Installation

**NOTICE** Installation Step 2 is for Deck Mount Locations ONLY.  
(For Face mount Installation refer to Page 14 before continuing to Step 3).

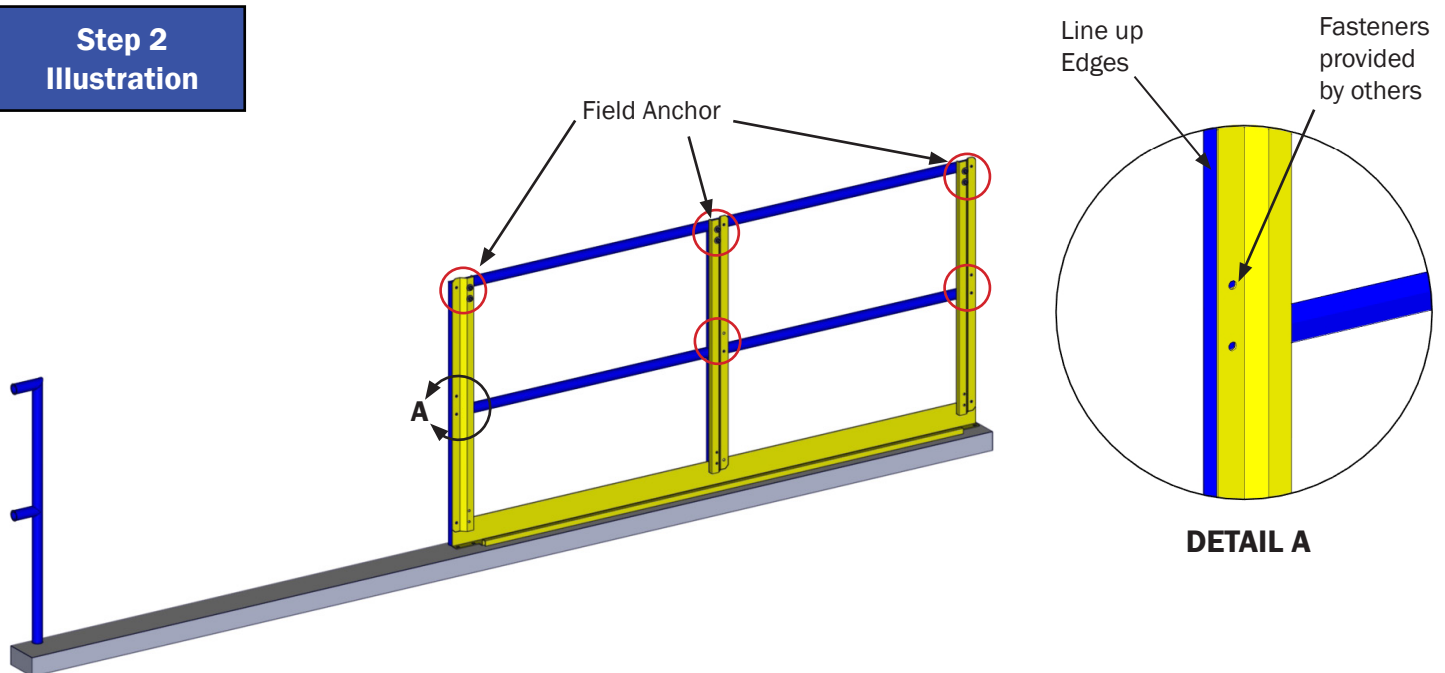
**IMPORTANT!** Installation steps are shown in **SLIDE DIRECTION: RIGHT**.

**STEP 2.** Installation of Track Assembly.

- Line up leading edge of Track Assembly with leading edge of opening.
- Field fasten Track Assembly to your existing structure using factory located holes.

**NOTICE** Fasteners provided by others, *NOT* PS Safety Access.

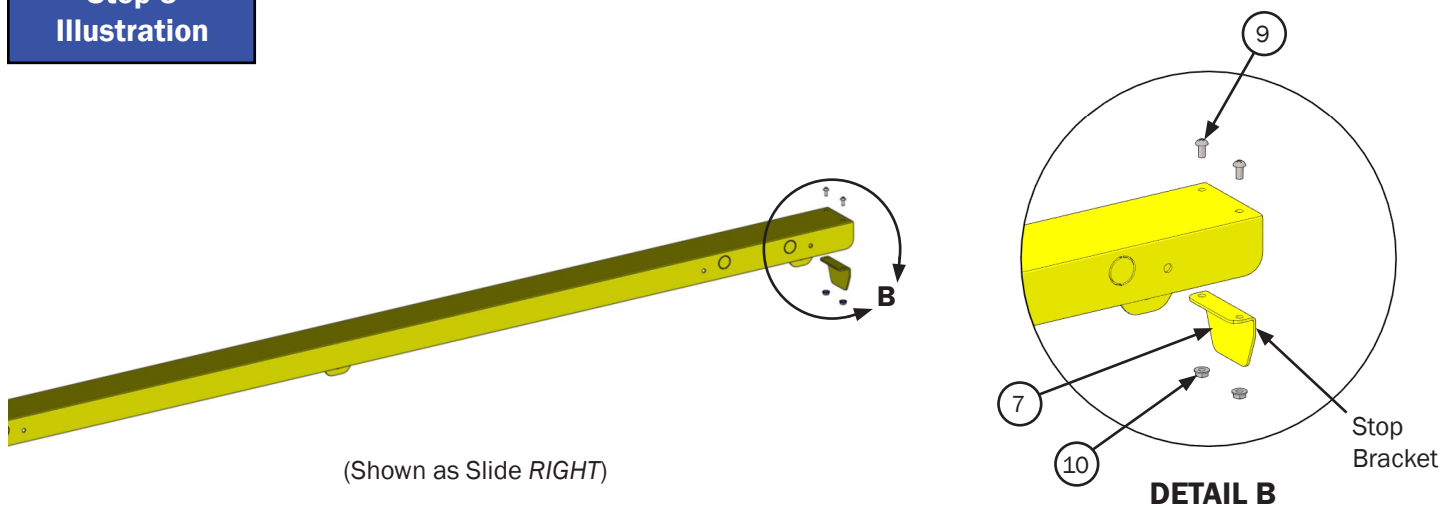
## Step 2 Illustration



**STEP 3.** Using supplied hardware from Track Shroud kit begin assembling the Shroud.

- Install the Stop Bracket to the NON-SLIDE DIRECTION of the Shroud.

## Step 3 Illustration

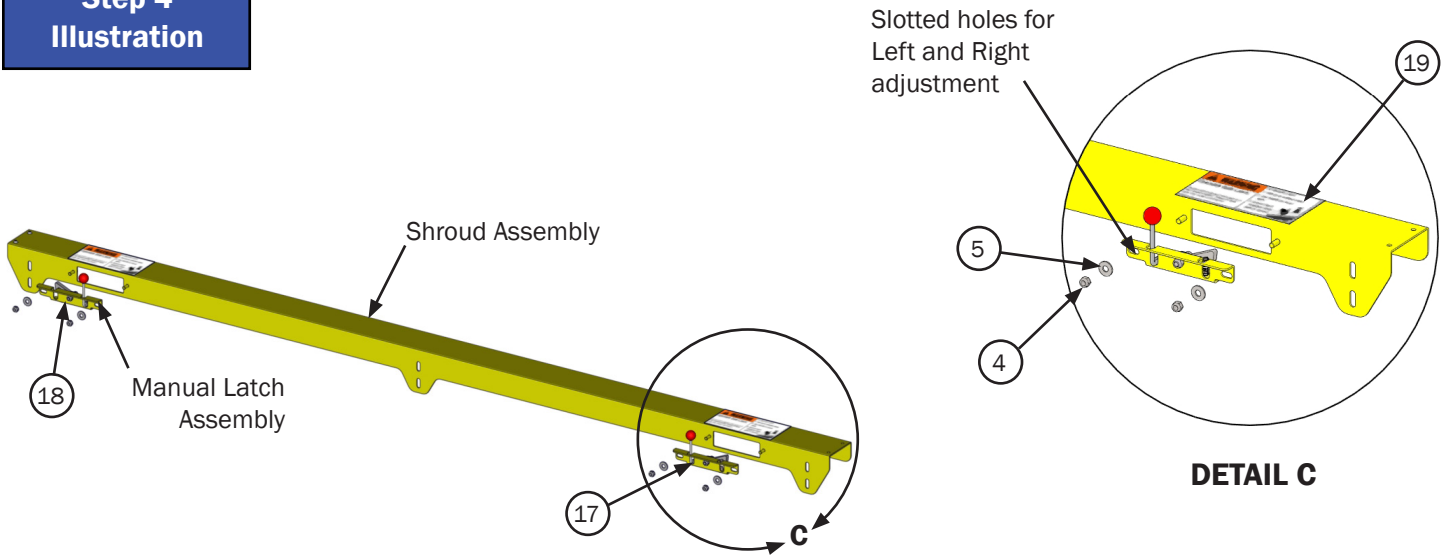


# Installation

**STEP 4.** Installation of the Manual Kit.

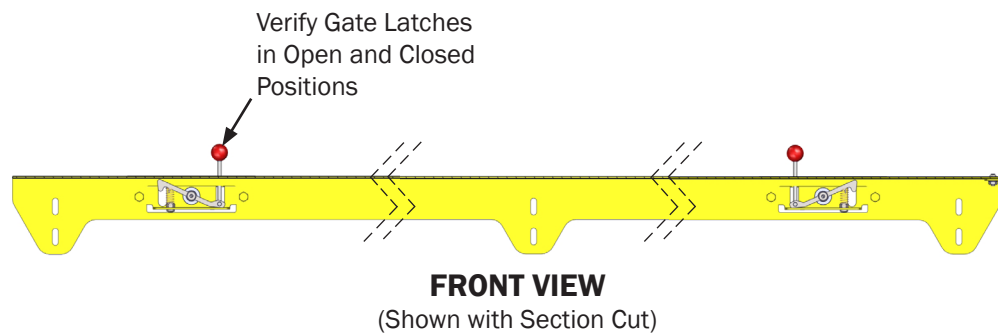
- a. Attach the manual latch assemblies to the shroud with supplied bolts and washers.
- b. Adhere decal to top of shroud above each latch assembly.

**Step 4  
Illustration**



**STEP 5.** Verify Gate latches in both open and closed positions.

**Step 5  
Illustration**



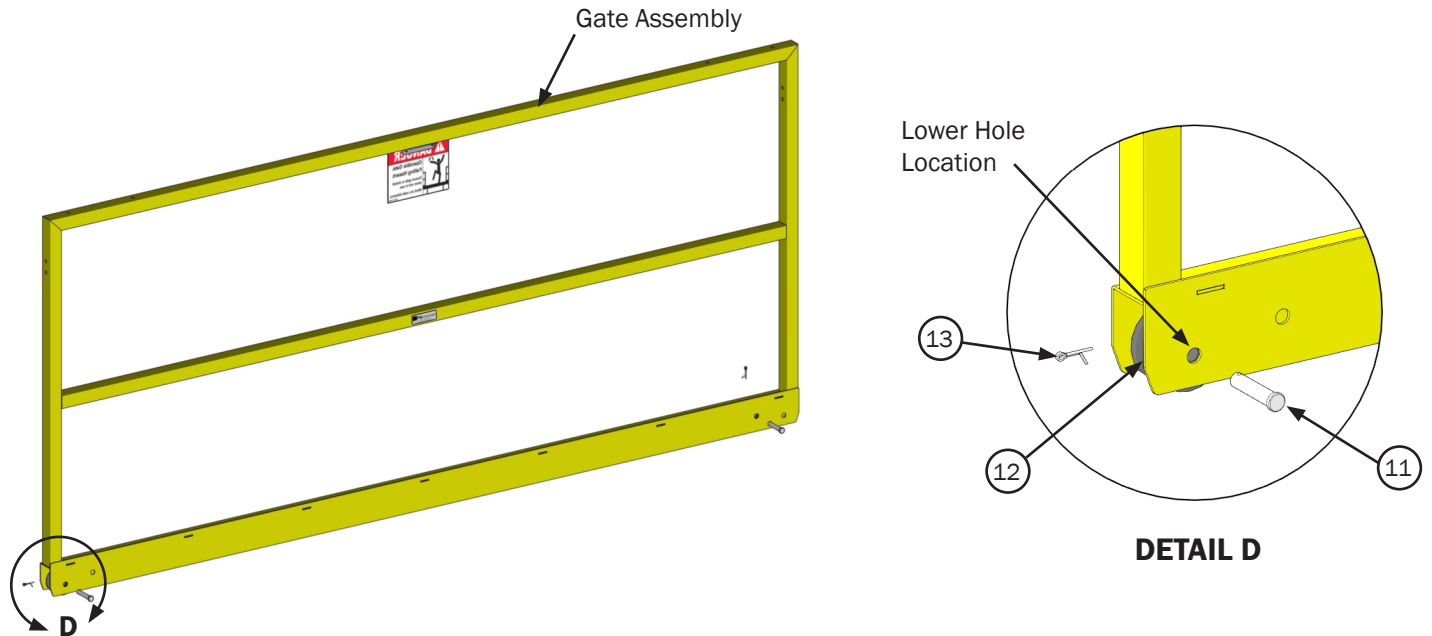
# Installation

**STEP 6.** Installation of the Gate Assembly.

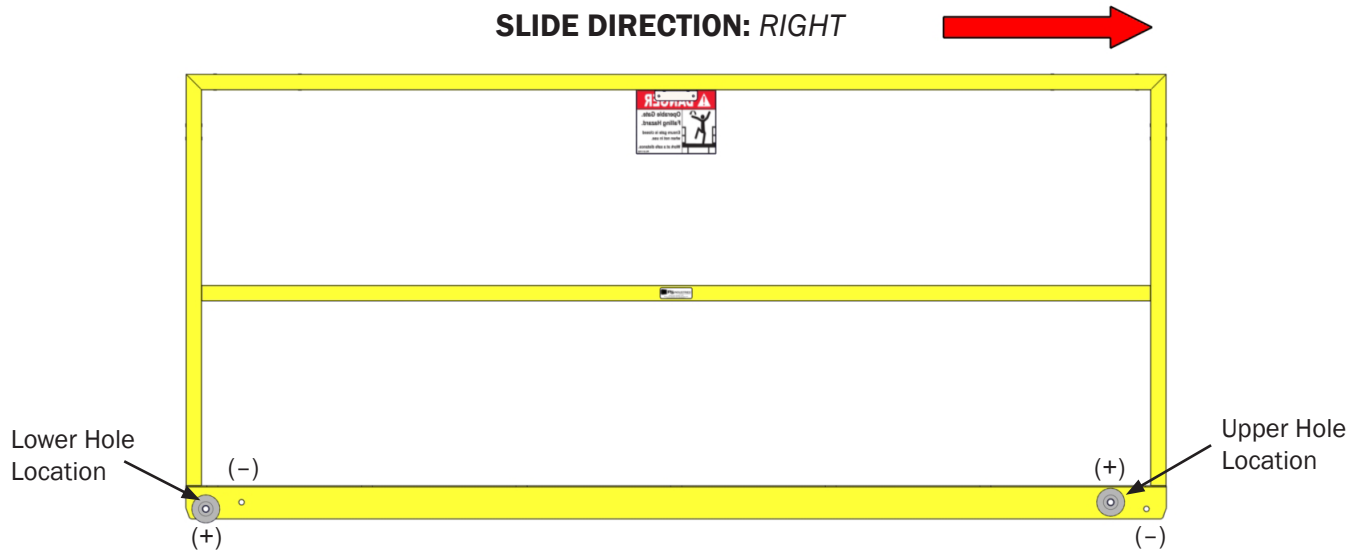
- a. Install front wheel in the leading end of gate with supplied pin and cotter pin.

**CRITICAL** Front wheel MUST be in the lower hole location of leading end of Gate Assembly.

**Step 6  
Illustration A**



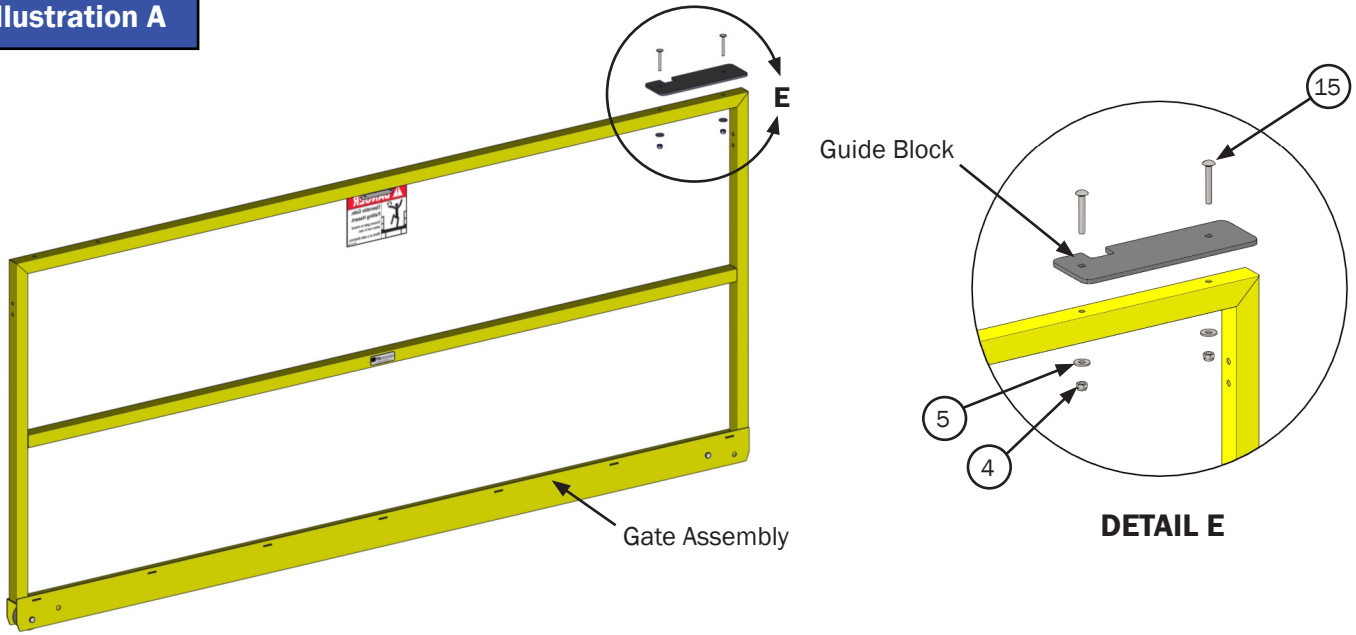
**Step 6  
Illustration B**



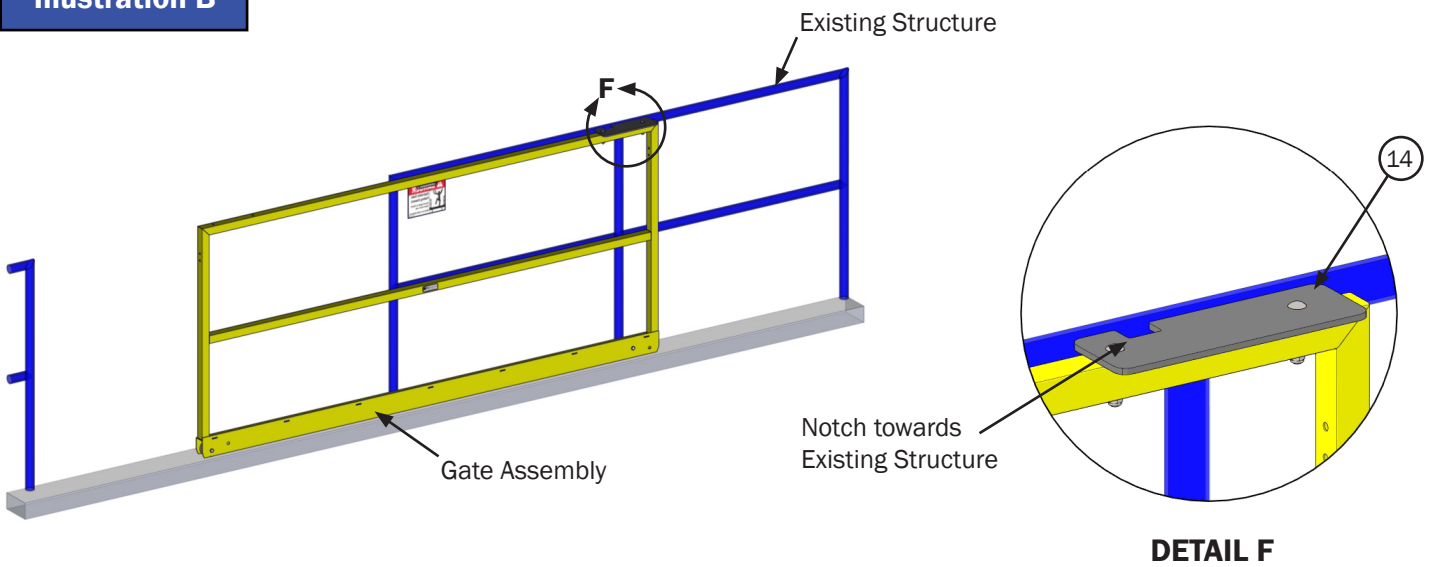
# Installation

**STEP 7.** Attach UHMW Gate Guide Block to top of Gate Assembly with supplied bolts, washers, and nylock nuts.  
a. The notch in Guide Block MUST be towards existing structure (refer to Illustration B for correct placement).

**Step 7  
Illustration A**



**Step 7  
Illustration B**



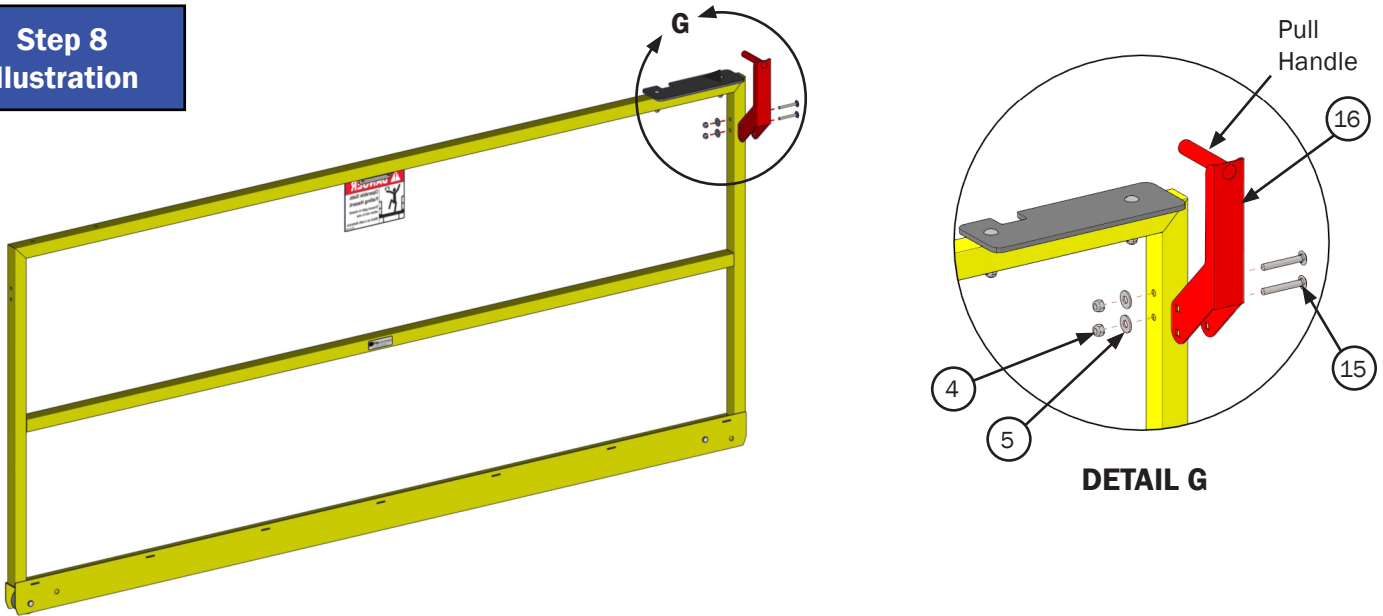
**NOTICE** Existing structure only shown for reference of notch direction.



# Installation

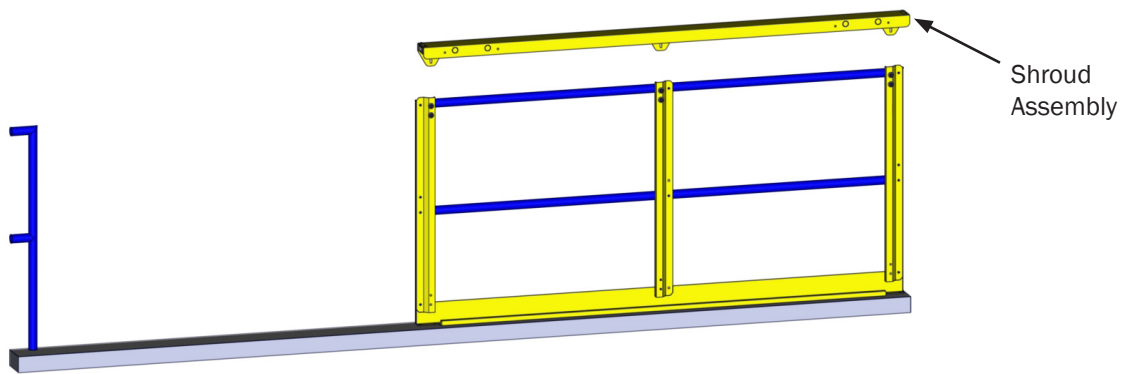
- STEP 8.** Installation of the Red Pull Handle.
- a. Attach the Handle assembly to the Gate with supplied bolts and washers.
  - b. Handle MUST be installed on the trailing end of the Gate.

**Step 8  
Illustration**

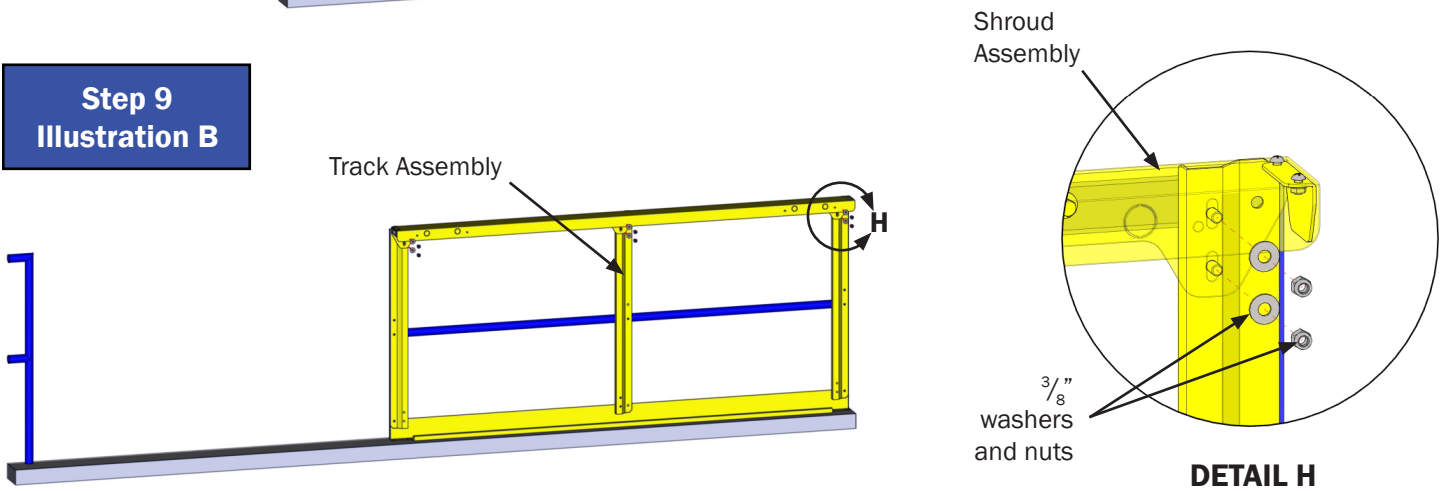


- STEP 9.** Install Shroud Assembly on Track Assembly.
- a. Using supplied  $\frac{3}{8}$ " washers and nylock nuts attach shroud to top of track assembly.

**Step 9  
Illustration A**



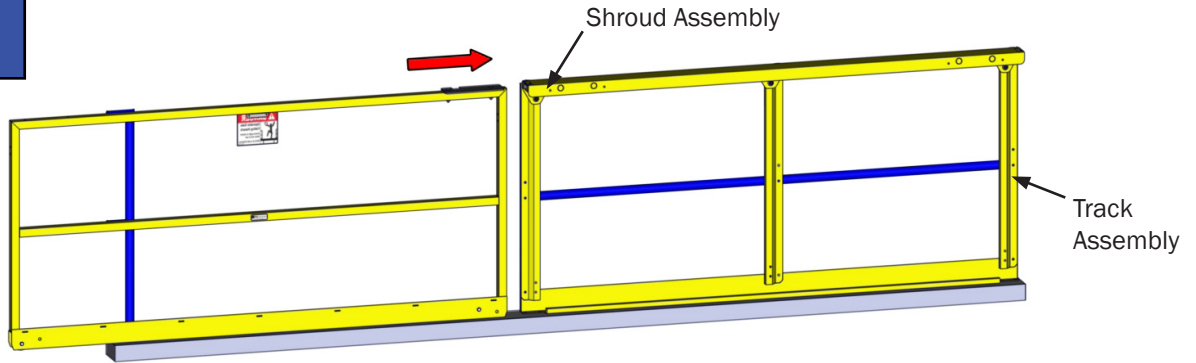
**Step 9  
Illustration B**



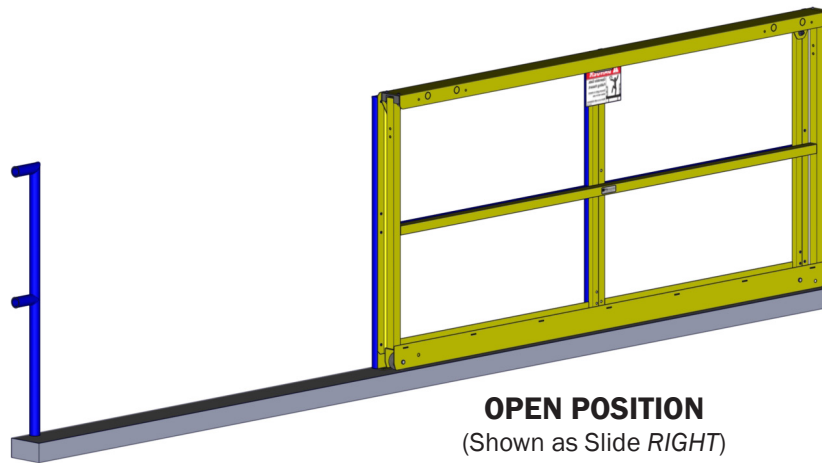
# Installation

**STEP 10.** Slide Gate assembly into Track and Shroud.  
a. Slide gate to fully open position.

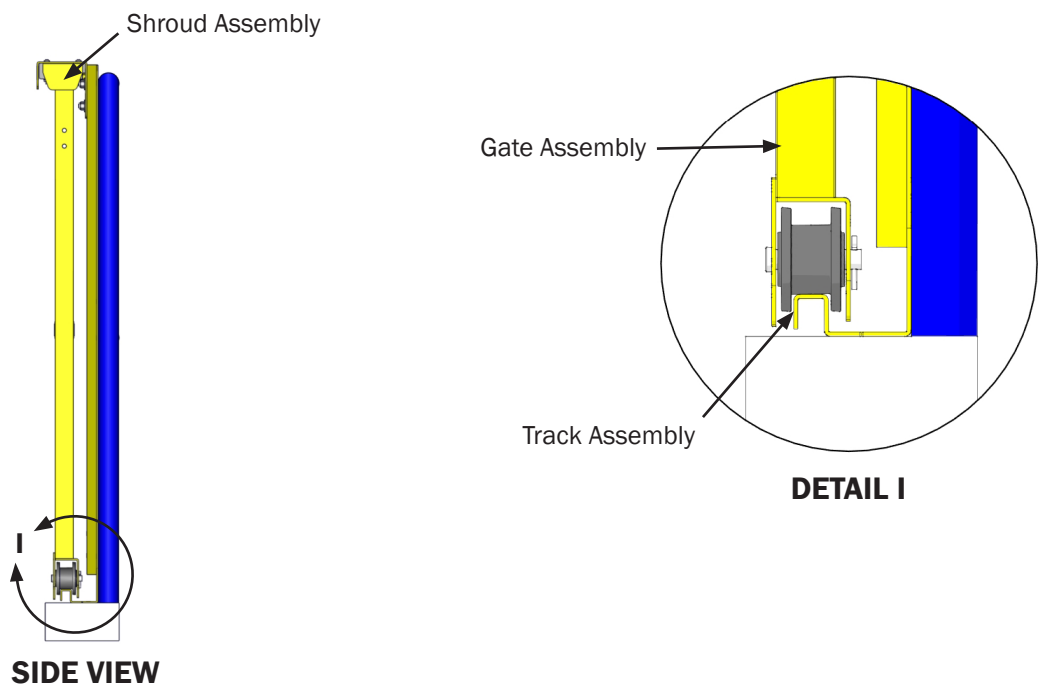
**Step 10  
Illustration A**



**Step 10  
Illustration B**



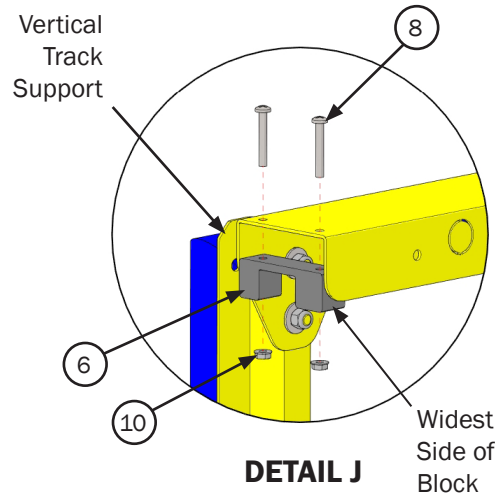
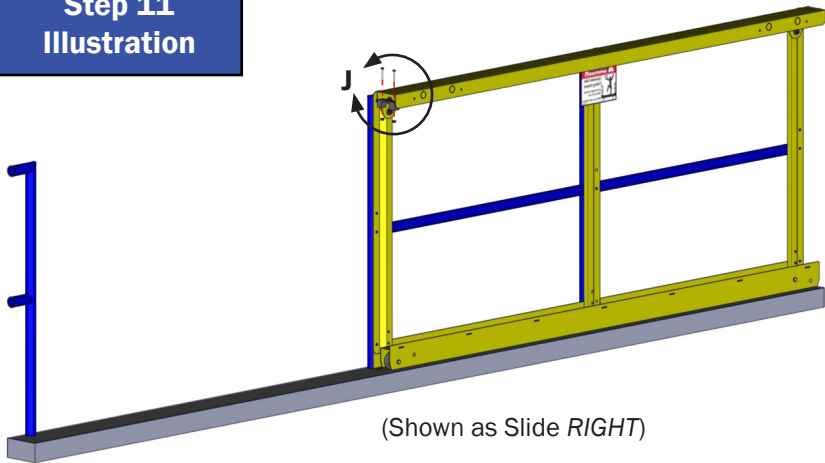
**Step 10  
Illustration C**



# Installation

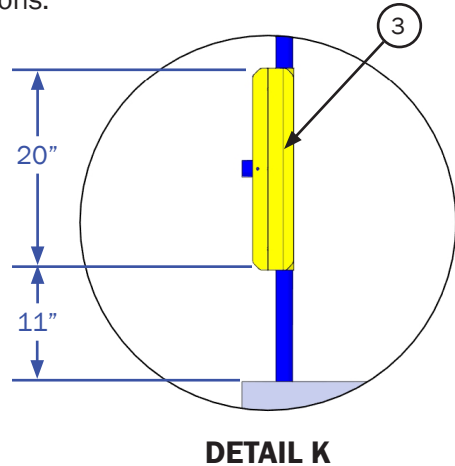
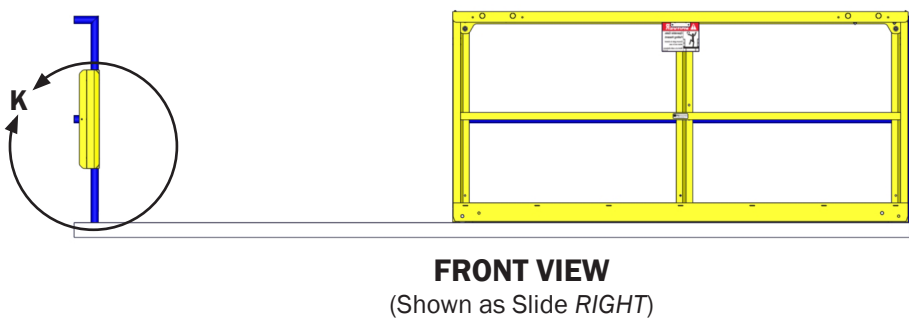
**STEP 11.** Install Shroud Block with supplied screws, and nuts.  
 a. Shroud Block *MUST* be installed on open edge of Shroud Assembly with the widest side away from the vertical track support.

**Step 11  
Illustration**

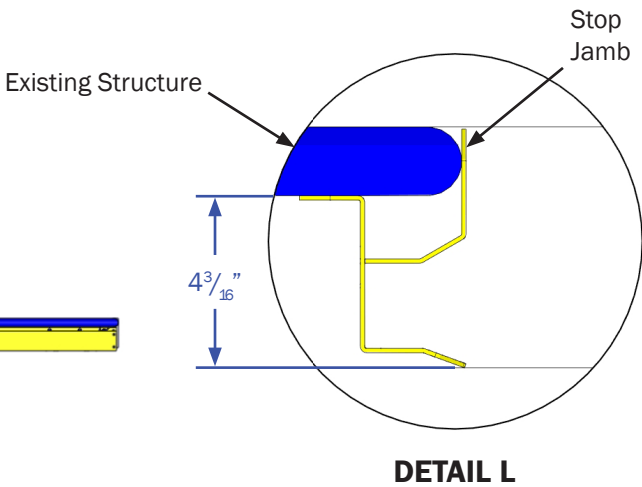
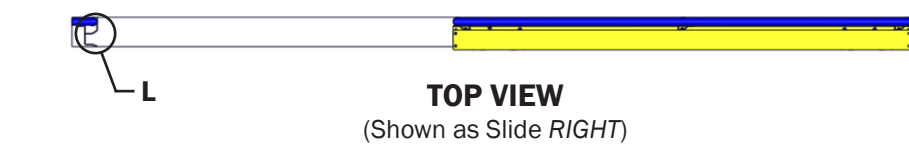


**STEP 12.** Install Stop Jamb onto Existing Structure.  
 a. Slide gate to fully open position.  
 b. Field fasten Stop Jamb vertically, refer to Details for correct dimensions.

**Step 12  
Illustration A**



**Step 12  
Illustration B**



# Installation

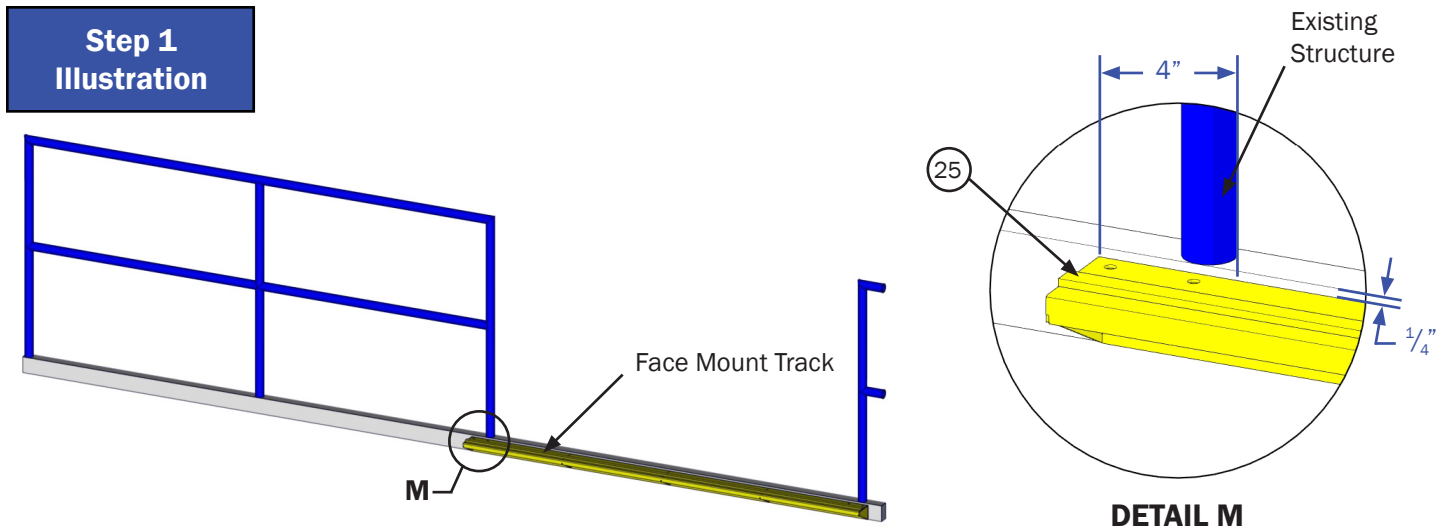
## VII. Installation of optional Face Mount Track *(Sold separately)*

A. Once steps have been completed, continue with Shroud Assembly on Page 5.

### STEP 1. Installation of Face Mount Track.

- a. Field fasten track  $\frac{1}{4}$ " below top of the mezzanine deck.
- b. Face Mount Track must be 4" beyond the end of the opening in the direction of slide (refer to Detail P for proper dimensioning).

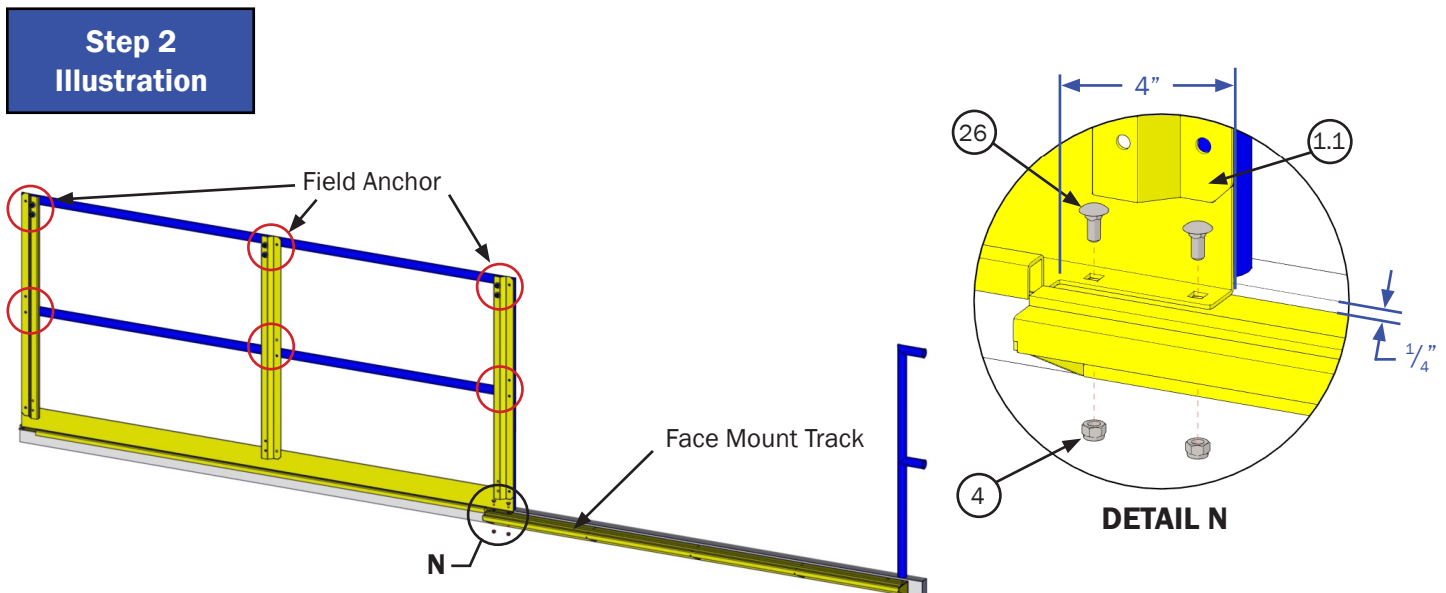
**NOTICE** Fasteners provided by others, NOT PS Safety Access.



### STEP 2. Installation of Track Assembly.

- a. Place Gate Housing Track on top of the Face Mount Track and line it up with the supplied holes.
- b. Attach Gate Housing Track to Face Mount Track with supplied carriage bolts and nylock nuts.
- c. Field fasten Gate Housing Track to your existing structure using factory located holes.

**NOTICE** Fasteners provided by others, NOT PS Safety Access.



## Replacement Parts List

### VIII. Replacement Parts List

**NOTE 1.** This replacement parts list is for all SafeMezz® Horizontal Gate Manual Models.

**NOTE 2.** Parts diagrams are located on Pages 14.

FINISH OPTIONS	
PCY	Powder Coat Safety Yellow

**TO ORDER PARTS CONTACT PS SAFETY ACCESS AT  
877.446.1519 or [4psinfo@psindustries.com](mailto:4psinfo@psindustries.com)**

Replacement Parts List			
ITEM #	DESCRIPTION	QTY	PART #
1	REFER TO HARDWARE VARIANT		
1.1	REFER TO HARDWARE VARIANT		
1.2	REFER TO HARDWARE VARIANT		
2	REFER TO HARDWARE VARIANT		
3	MGH;STOP JAMB PCY	1	511503
4	NUT;NYLOCK 5/16"18ZN	10	501126
5	WASHER;FLAT 5/16" ZN	8	501949
6	MGH;SHROUD BLOCK	1	511489
7	MGH;STOP BRACKET PCY	1	511504
8	SCREW;PANPHMACH1/4"20X1 3/4ZN	2	501507
9	SCREW;PANPHMACH1/4"20X1/2ZN	2	501509
10	NUT;FLANGE 1/4"20ZN-CASE HARD	4	501084
11	PIN;CLEVIS 1/2"X 2-1/4", ZN	2	509178
12	SHEAVE;UHMW,BLACK,1-3/4" DIA	2	501555
13	PIN;COTTER 1/8 x 3/4 ZN	2	503403
14	MGH;UHMW GATE GUIDE BLOCK	1	511500
15	BOLT;CARRIAGE5/16"18X2-1/4"GR5	4	506502
16	MGH;ROUND PULL HANDLE PCR	1	511496
17	MGH;MANUAL LATCH ASSEMBLY LH	1	511517
18	MGH;MANUAL LATCH ASSEMBLY RH	1	511970
19	DECAL;MHM LATCH WARNING	2	512839

Hardware Variant for MGH-72-PCY			
ITEM #	DESCRIPTION	QTY	PART #
1	MGH;TRACK SHROUD ASSEMBLY-PCY-72"	1	513903
1.1	MGH;TRACK ASSEMBLY-PCY-72"	1	512368
1.2	MGH;SHROUD ASSEMBLY-PCY-72"	1	512371
2	MGH;72" GATE ASSEMBLY-PCY	1	511699

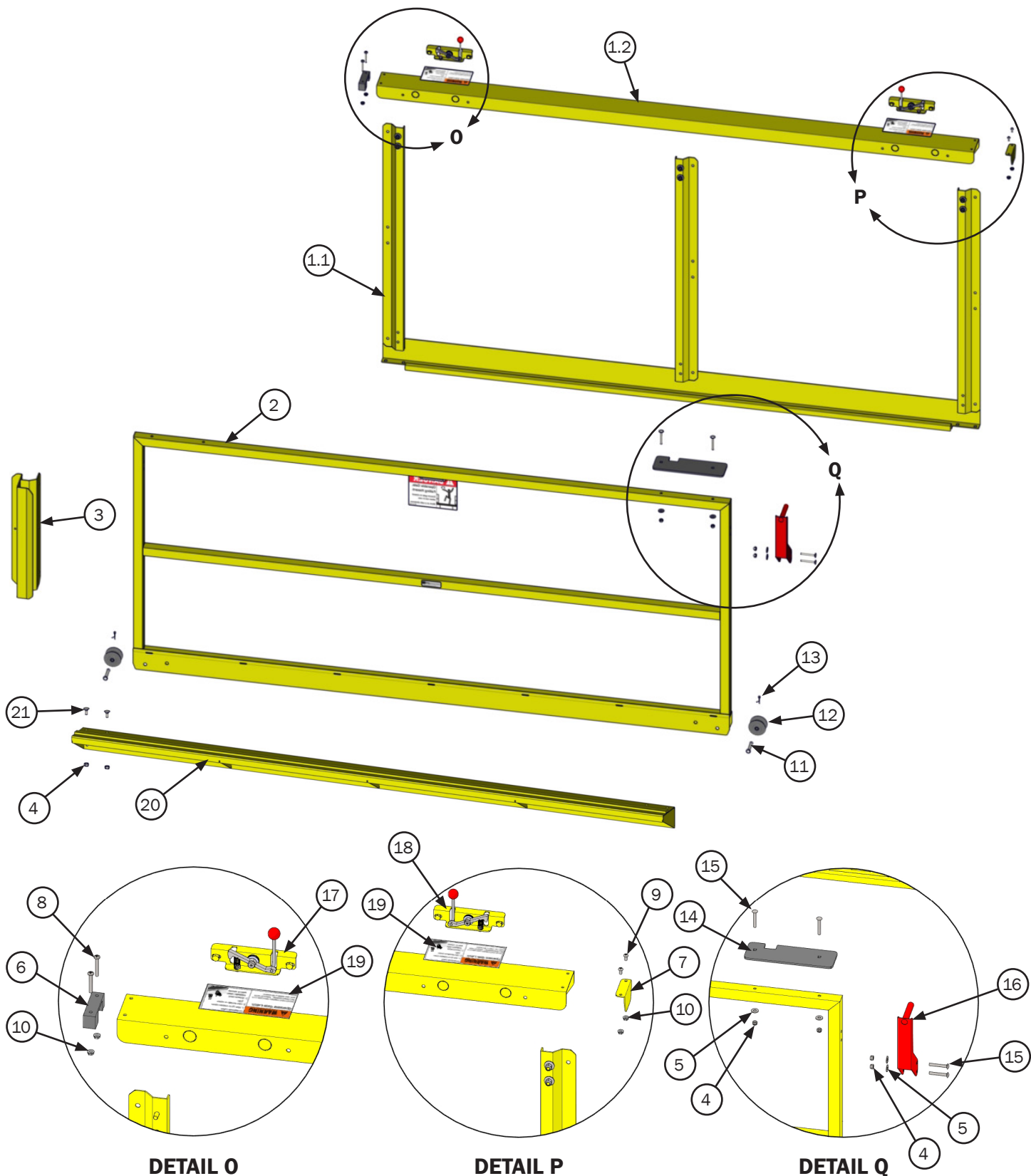
Hardware Variant for MGH-96-PCY			
ITEM #	DESCRIPTION	QTY	PART #
1	MGH;TRACK SHROUD ASSEMBLY-PCY-96"	1	513904
1.1	MGH;TRACK ASSEMBLY-PCY-96"	1	512374
1.2	MGH;SHROUD ASSEMBLY-PCY-96"	1	512377
2	MGH;96" GATE ASSEMBLY-PCY	1	511702

Hardware Variant for Face Mount Gate			
ITEM #	DESCRIPTION	QTY	PART #
20	MGH;FACE MOUNT TRACK-PCY-72"	1	512381
21	BOLT;CARRIAGE 5/16"X3/4"GR5	2	514333
*4	NUT;NYLOCK 5/16"18 ZN	2	501126

# Replacement Parts Diagram

## IX. Replacement Parts Diagram

**NOTE 1.** This diagram is for all SafeMezz® Horizontal Gate Manual Models.



## Inspection and Maintenance

### X. Inspection and Maintenance (Minimum Annually)

**IMPORTANT!** Consult parts list before replacing fasteners, as all have specific design load requirements. Only use like items for replacement.

#### A. Gate/Frame:

1. Inspect components for damage and misalignment. Adjust, repair, or replace as needed, to meet original design tolerance.
2. Check gate for proper alignment with track assembly. Adjust as necessary to achieve proper alignment.

#### B. Fasteners and mechanical connections

1. All fasteners must be in place and adjusted to their original design standard. Replace any damaged components.
2. Check all mounting connections, making sure they meet original design standards (refer to instructions).

#### C. Finishes

1. Inspect and clean finishes periodically.
2. Touch up repair finishes, or refinish as necessary to protect the structural integrity of the SafeMezz Horizontal Gate.
3. The SafeMezz Horizontal Gate comes with a polyester powder coat finish. Use finish materials compatible with powder coat. Follow paint manufacturers' instructions for prep and touch-up.

#### D. Housekeeping

1. To ensure your product continues to operate and last, upon completion of proper installation, complete the following:
  - a. Clean all surfaces.
  - b. If project is ongoing, protect installed products until final completion of project.
  - c. Touch-up, repair, or replace damaged components.
2. Ensure the track assembly is clear of debris and interferences.

#### E. Labels and Placards:

1. Inspect all labels and placards.
2. Replace any labels and placards which are unreadable/missing.

# Inspection and Maintenance Log

**CRITICAL** Periodic Inspection and Maintenance Required. Inspect at minimum annually.

Date Installed: \_\_\_\_\_

Product: \_\_\_\_\_

Model Number: \_\_\_\_\_

Serial Number: \_\_\_\_\_

Opening Identifier/ Number: \_\_\_\_\_

Location: \_\_\_\_\_

<b>DATE INSPECTED</b>	<b>INSPECTED BY</b> <i>(Print &amp; Sign)</i>	<b>INSPECTION ITEMS NOTED</b>	<b>CORRECTIVE ACTION</b>	<b>CORRECTED BY</b> <i>(Print &amp; Sign)</i>



## PS INDUSTRIES® INCORPORATED – LIMITED WARRANTY

**Limited Warranty:** Subject to the terms of this Limited Warranty, PS Industries® Incorporated warrants to the original user or consumer (the “Owner”) of a PS Industries product (the “Product”) that, for a period of one (1) year from date of shipment, the Product will be free from defects in material and workmanship under normal use and service, and provided the Product is installed, operated and maintained in accordance with instructions supplied by PS Industries. The terms and limitations of this Limited Warranty apply to all repaired or replacement Products for a term equal to the balance of the warranty remaining on the Product that was repaired or replaced as of the date of such repair or replacement. Register online at: [www.psindustries.com/contact/register-your-product](http://www.psindustries.com/contact/register-your-product)

**PS Flood Barriers™ Product Warranty Registration:** For PS Flood Barriers™ Products, this Limited Warranty will only be valid if the Owner completes the Warranty Registration Form provided within thirty (30) days of Product installation. To request a copy of the Warranty Registration Form, contact PS Industries Incorporated, 1150 S. 48th Street, Grand Forks, ND 58201, phone 877-446-1519, email: [4psinfo@psindustries.com](mailto:4psinfo@psindustries.com). Register online at: [www.psindustries.com/contact/register-your-product/](http://www.psindustries.com/contact/register-your-product/) Additional Warranty Registration Forms can be downloaded at [www.psfloodbarriers.com/download-center/](http://www.psfloodbarriers.com/download-center/)

**Warranty Exclusions:** Notwithstanding anything to the contrary, this Limited Warranty does not cover any of the following:

1. Normal wear and tear (including, but not limited to, normal wear and tear to gaskets and weather seals); damage or accidents resulting from freight damage, from failure to follow precautionary safety measures, or applied paint failure; abuse, misuse or unauthorized modification of the Product; misapplication; improper installation; or any defects, damage or other harm that is not the result of the acts or omissions of PS Industries.
2. Cost of field labor or other charges incurred by Owner in removing and/or re-affixing the Product or any part or component thereof.
3. Transportation costs.

Unauthorized modification of or to the Product voids this Limited Warranty. Authorized modifications, received in writing from PS Industries, as long as the modification is accomplished in strict accordance with PS Industries’ instructions, does not void warranty. To request product modifications contact PS Industries, 1150 S. 48th Street, Grand Forks, ND 58201, phone 877-446-1519, email: [4psinfo@psindustries.com](mailto:4psinfo@psindustries.com).

**Claim Procedure:** To make a claim under this Limited Warranty, the claim must be received by PS Industries before the expiration of the above stated Limited Warranty period together with proof of purchase. Contact PS Industries at the address shown below.

PS Industries Incorporated	Toll Free: 877-446-1519
Attention: Warranty	Phone: 701-746-4519
1150 S. 48th Street	Fax: 701-746-8340
Grand Forks, ND 58201	E-mail: <a href="mailto:4psinfo@psindustries.com">4psinfo@psindustries.com</a>

An authorized PS Industries representative must be given a reasonable opportunity to inspect and investigate the alleged Product defect prior to any work being done that affects the Product or its installation. PS Industries reserves the right to charge reasonable amounts for travel and labor associated with investigation of claims. PS Industries may also require photographs of the alleged Product defect or return of the Product or part to a designated PS Industries location, freight prepaid. A return goods authorization must be received prior to the return of the Product or part. Please contact PS Industries to determine the designated location for return and to obtain the return material authorization.

**Exclusive Remedy:** In the event of a warranty claim that PS Industries determines to be covered by this Limited Warranty, PS Industries will replace or repair, at PS Industries’ discretion, the Product or any part of the Product found to be defective.

**Disclaimers:** The above warranty and remedy is the sole express warranty and remedy given by PS Industries on its Product. No warranties or representations at any time made by any representative from PS Industries shall vary or expand the provisions hereof. TO THE EXTENT PERMITTED BY LAW, ALL EXPRESS AND IMPLIED WARRANTIES (INCLUDING IMPLIED WARRANTIES OF MERCHANTABILITY, FITNESS FOR A PARTICULAR PURPOSE AND NON-INFRINGEMENT) OTHER THAN THE EXPRESS LIMITED WARRANTY SET FORTH ABOVE ARE EXPRESSLY DISCLAIMED. UPON THE EXPIRATION OF THE ABOVE STATED LIMITED WARRANTY PERIOD, ANY AND ALL APPLICABLE IMPLIED WARRANTIES, INCLUDING, WITHOUT LIMITATION, WARRANTIES OF MERCHANTABILITY, FITNESS FOR A PARTICULAR PURPOSE AND NON-INFRINGEMENT, ARE DISCLAIMED. SOME STATES DO NOT ALLOW LIMITATION ON HOW LONG AN IMPLIED WARRANTY LASTS, SO THE ABOVE LIMITATION MAY NOT APPLY TO OWNER.

**LIABILITY LIMITATION:** In no event will PS Industries’ liability to Owner or any other person or entity exceed the price paid to PS Industries for the defective Product. IN NO EVENT SHALL PS INDUSTRIES BE LIABLE TO OWNER OR ANY OTHER PERSON OR ENTITY FOR INCIDENTAL, CONSEQUENTIAL, INDIRECT OR SPECIAL DAMAGES OF ANY DESCRIPTION, WHETHER ARISING OUT OF WARRANTY (INCLUDING ANY IMPLIED WARRANTIES) OR ANY OTHER CONTRACT, STRICT LIABILITY, NEGLIGENCE OR OTHER TORT, OR OTHERWISE, INCLUDING ARISING FROM INSPECTION OR REMEDY DELAYS. SOME STATES DO NOT ALLOW THE EXCLUSION OR LIMITATION OF INCIDENTAL OR CONSEQUENTIAL DAMAGES, SO THE ABOVE LIMITATION AND EXCLUSION MAY NOT APPLY TO OWNER.

THIS WARRANTY GIVES OWNER SPECIFIC LEGAL RIGHTS AND OWNER MAY ALSO HAVE OTHER RIGHTS, WHICH VARY FROM STATE TO STATE.



**877.446.1519**

**4psinfo@psindustries.com | pssafetyaccess.com**  
**1150 South 48th Street | Grand Forks, ND 58201**

**Product Registration:**  
**[psindustries.com/contact/register-your-product](https://psindustries.com/contact/register-your-product)**