

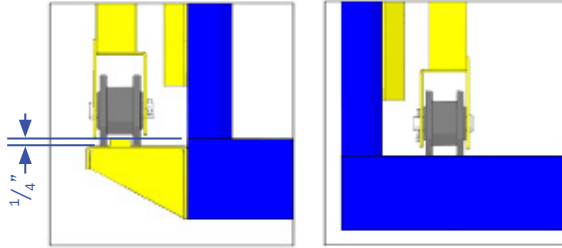
**HORIZONTAL MEZZANINE GATE  
MEASURING GUIDE & ORDER FORM**



1150 S. 48<sup>TH</sup> STREET, GRAND FORKS, ND 58201  
**Phone:** 701.746.4519 | **Toll Free:** 877.446.1519  
**Website:** pssafetyaccess.com  
**Email:** 4psinfo@psindustries.com

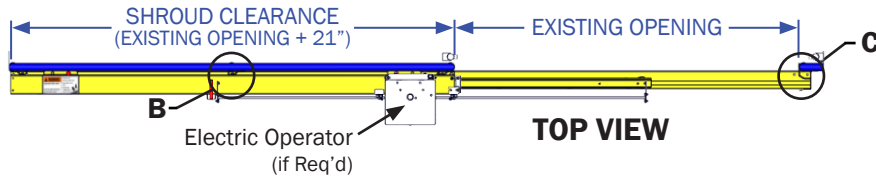
**SAFEMEZZ<sup>®</sup>**  
Horizontal Gate

**MOUNTING OPTIONS**

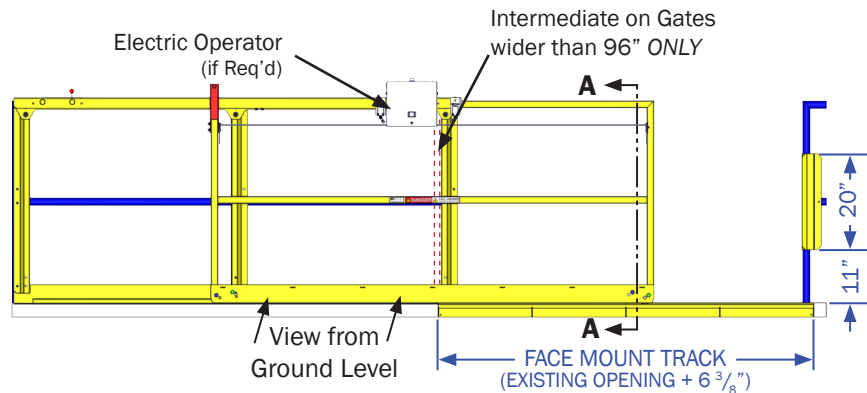


**FACE MOUNT      DECK MOUNT**

STOCK FINISH OPTION	
PCY	Powder Coat Safety Yellow



**TOP VIEW**



**FRONT VIEW**

\*Details located on page 2.

QUOTATION REQUESTED

MEZZANINE GATE ORDER

**SOLD/QUOTE TO:**

NAME:  
 COMPANY:  
 ADDRESS:  
 CITY, STATE, ZIP:  
 PHONE:      FAX:  
 EMAIL:

**SHIP TO:**

NAME:      DATE:  
 ADDRESS:      P.O.#:  
 CITY, STATE, ZIP:      TAG:  
 PHONE:      SHIP VIA:

\*For orders or product inquiries please email 4psinfo@psindustries.com

GATE MODEL/SIZE	GATE MODEL/SIZE		GATE QUANTITY
	MODEL ID	NOMINAL OPENING WIDTH	
GATE MODEL/SIZE	048	4'-0" (48")	
	072	6'-0" (72") STOCK SIZE	
	096	8'-0" (96") STOCK SIZE	
	120	10'-0" (120")	
	144	12'-0" (144")	
	CUSTOM		

**OPERATION:      MOUNTING LOCATION:**

MANUAL (M)       DECK MOUNT (D)  
 ELECTRIC (E)       FACE MOUNT (F)

**MATERIAL FINISH:      SLIDE-TO-OPEN DIRECTION:**

MILD STEEL (POWDER COAT SAFETY YELLOW)  
 304 STAINLESS STEEL (UNFINISHED/ MILL)

\*SET DESIRED SLIDE-TO-OPEN DIRECTION DURING INSTALLATION USING INSTRUCTIONS IN O&M MANUAL.

**ELECTRIC CONTROL OPTIONS:**

KEYPAD; WIRELESS DOOR OPENER (PN 517153)       SWITCH; CEILING PULL CORD (PN 501715)

## HORIZONTAL MEZZANINE GATE MEASURING GUIDE & ORDER FORM

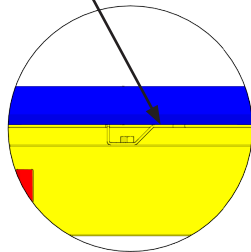


1150 S. 48<sup>TH</sup> STREET, GRAND FORKS, ND 58201  
**Phone:** 701.746.4519 | **Toll Free:** 877.446.1519  
**Website:** pssafetyaccess.com  
**Email:** 4psinfo@psindustries.com

# SAFEMEZZ<sup>®</sup>

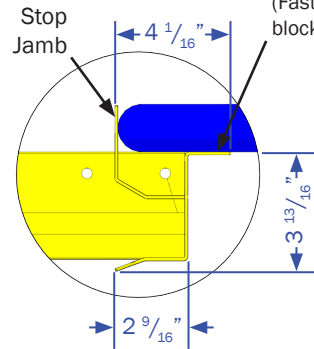
*Horizontal Gate*

Field Fasten to Existing Railing (typ.)  
 (Fasteners provided by Installer, block-out as req'd)

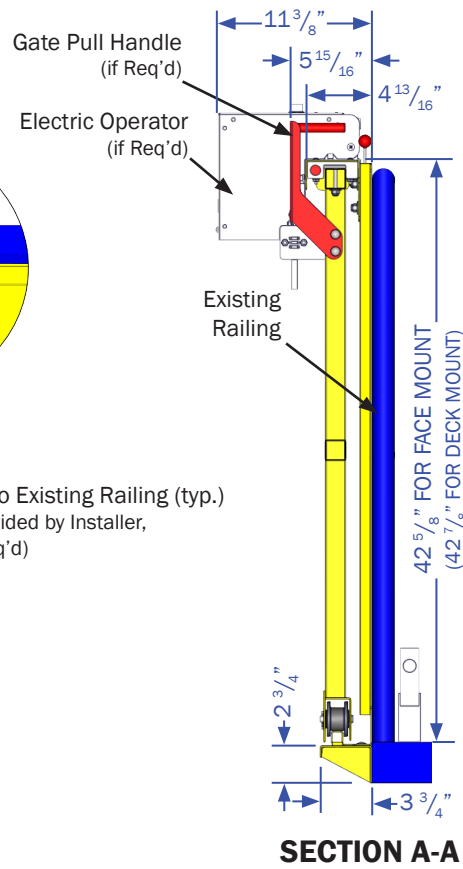


**DETAIL B**

Field Fasten to Existing Railing (typ.)  
 (Fasteners provided by Installer, block-out as req'd)



**DETAIL C**



**SECTION A-A**

## HORIZONTAL SLIDING MEZZANINE GATE TECHNICAL DATA:

### 1. Operation:

- Manual
- Electric:
  - Electric Drive Operation, 115 VAC, (24 VDC Secondary), 60 HZ, 1/2 HP. Operator control panel includes time-to-close capability, obstruction sensing and two (2) one-button remotely located push button stations. Includes Red-colored WARNING strobe light, activates when gate is open.

### 2. Mounting Location:

- Deck Mount
- Face Mount

### 3. Gate Section:

To be factory welded frame work with horizontal top rail. Includes mid-rail, 4" high toe board, 42" overall height, and vertical members not to exceed 8'0" on center. Gate shall meet or exceed Federal OSHA standard for standard railings at the time of manufacture relative to dimensions and loading. To be fabricated from one of the following:

- Mild Steel
- 304-2b Stainless Steel

### 4. Rollers:

To be minimum 2 5/8" diameter, concealed within toe board. Rollers to be non-corrosive.

### 5. Slide Direction:

Gate system can be set up for left or right slide-to-open direction during installation. Refer to Installation Instructions in Operations and Maintenance Manual.

### 6. Finish:

- Mild steel mezzanine gates; exposed surfaces to be Powder Coat Safety Yellow. Hardware/fasteners to be zinc plated.
- Stainless steel mezzanine gates (304-2b); mill finish, acid washed. Interfering welds ground smooth, not polished. Hardware/fasteners to be stainless steel.

### 7. Warranty:

To be One (1) Year from date of shipment, finish excluded.

### 8. Available Options:

- Remote controls; gate systems with electric controls only.
- Photo-eyes; required on gate systems with electric controls only.
- Pull cord switch; gate systems with electric controls only.

### 9. Exclusions:

- All electric wiring or airline piping to and between all components by others.
- Due to variances in field conditions, it is the responsibility of the installer to ensure that the product is installed to mounting structure that is capable of supporting all imposed loading from the product. The installer is responsible for ensuring that the provided fastening hardware or field configured mounting arrangement is capable of supporting all field loads and meets applicable codes and regulations.