

## VERTICAL MEZZANINE GATE MEASURING GUIDE & ORDER FORM

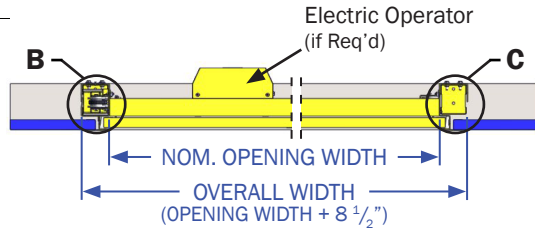


1150 S. 48<sup>TH</sup> STREET, GRAND FORKS, ND 58201  
**Phone:** 701.746.4519 | **Toll Free:** 877.446.1519  
**Website:** pssafetyaccess.com  
**Email:** 4psinfo@psindustries.com

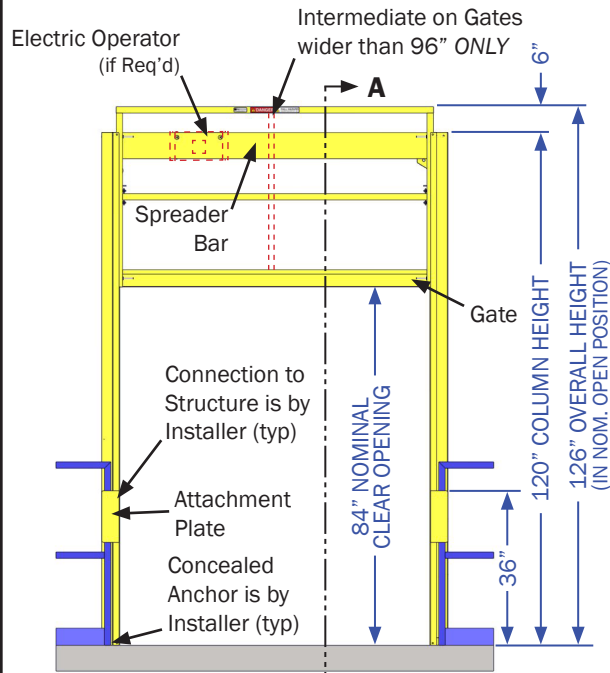
# SAFEMEZZ®

*Vertical Gate*

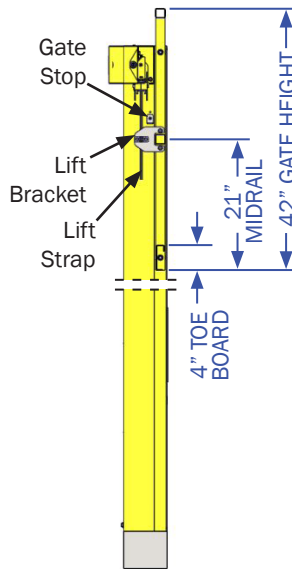
STOCK FINISH OPTION	
PCY	Powder Coat Safety Yellow



**TOP VIEW**



**FRONT VIEW**



**SECTION A-A**

\*Details located on page 2.

QUOTATION REQUESTED

MEZZANINE GATE ORDER

**SOLD/QUOTE TO:**

NAME:	
COMPANY:	
ADDRESS:	
CITY, STATE, ZIP:	
PHONE:	FAX:
EMAIL:	

**SHIP TO:**

NAME:		DATE:
ADDRESS:		P.O.#:
CITY, STATE, ZIP:		TAG:
PHONE:	SHIP VIA:	

**\*For orders or product inquiries please email 4psinfo@psindustries.com**

MODEL/SIZE	GATE MODEL/SIZE					
	MODEL ID	NOMINAL OPENING WIDTH	QTY	MODEL ID	NOMINAL OPENING WIDTH	QTY
MODEL/SIZE	048	4'-0" (48")		144	12'-0" (144")	
	072	6'-0" (72") STOCK SIZE <small>(Std. Col. Only)</small>		168	14'-0" (168")	
	096	8'-0" (96") STOCK SIZE <small>(Std. Col. Only)</small>		192	16'-0" (192")	
	120	10'-0" (120")		CUSTOM		

**OPERATION:**

- MANUAL (M)     PNEU/ELEC (N)  
 ELECTRIC (E)     PNEU/PNEU (P)

**MOUNTING LOCATION:**

- DECK MOUNT (D)  
 FACE MOUNT (F)

**MATERIAL FINISH:**

- MILD STEEL (POWDER COAT SAFETY YELLOW)  
 304 STAINLESS STEEL (UNFINISHED/ MILL)  
 316L STAINLESS STEEL (UNFINISHED/ MILL)

**ELECTRIC CONTROL OPTIONS:**

- RADIO CONTROL KIT; KEYPAD  
(PN 511322)  
 ADD'L TRANSMITTER; KEYPAD  
(PN 502918)  
 SWITCH; CEILING PULL CORD  
(PN 501715)  
 PHOTO-EYE KIT (ELECTRIC)  
(PN 511756)  
 PHOTO-EYE KIT (PNEUMATIC/ ELECTRIC)  
(PN 511754)

**COLUMN HEIGHT:**

- STANDARD (120")  
 CUSTOM (inches)

**CUSTOM CLEAR OPENING HEIGHT** (Dimension Required):

## VERTICAL MEZZANINE GATE MEASURING GUIDE & ORDER FORM

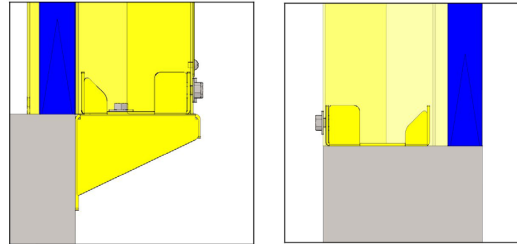


1150 S. 48<sup>TH</sup> STREET, GRAND FORKS, ND 58201  
**Phone:** 701.746.4519 | **Toll Free:** 877.446.1519  
**Website:** pssafetyaccess.com  
**Email:** 4psinfo@psindustries.com

# SAFEMEZZ®

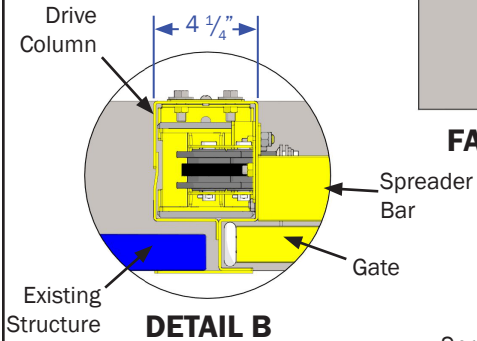
*Vertical Gate*

### MOUNTING OPTIONS

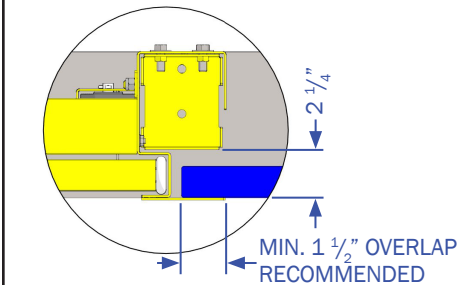


**FACE MOUNT**

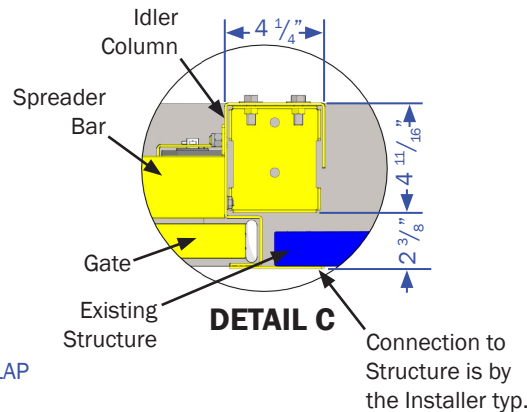
**DECK MOUNT**



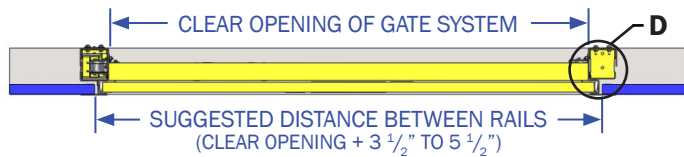
**DETAIL B**



**DETAIL D**



**DETAIL C**



**RAILING REFERENCE**

### VERTICAL MEZZANINE GATE TECHNICAL DATA:

- 1. Operation:**
  - a. Manual; counterweighted for ease of operation.
  - b. Electric; Electric Drive Operation, 115 VAC, (24 VDC Secondary), 60 HZ, 1/3 HP. Operator control panel includes timer-to-close capability, obstruction sensing and one (1) three-button (Open-Stop-Close) control panel mounted push button station, and one (1) remotely located wall mount, secondary three-button push button. Includes Amber-colored WARNING strobe light, activates when gate is in operation.
  - c. Pneumatic Operation/Electric Controls; Pneumatic Drive Cylinder requires 90-100 psi clean and dry air, provided by the installer. Operator control panel requires 115 VAC (24 VDC Secondary), 60 HZ, includes Timer-to-Close capability, and two (2) remotely located wall mount single push buttons. Includes Amber color WARNING strobe light, activates when gate is in operation.
  - d. Pneumatic Operation/Pneumatic Controls; Pneumatic Drive Cylinder requires 90-100 psi clean and dry air, provided by the installer. Includes two (2) remotely located two button (Open-Close) push button station.
- 2. Mounting Location:**
  - a. Deck Mount
  - b. Face Mount
- 3. Gate Section:** To be factory welded frame work with horizontal top rail. Includes mid-rail, 4" high toe board, 42" overall height, and vertical members not to exceed 8'0" on center. Gate to have a minimum of four (4) non-corrosive guide blocks, no lubrication required. Gate shall meet or exceed Federal OSHA standard for standard railings at the time of manufacture relative to dimensions and loading. To be fabricated from one of the following:
  - a. Mild Steel
  - b. 304-2b Stainless Steel
  - c. 316L Stainless Steel
- 4. Vertical Guide Column Assembly:** Shall consist of formed columns of the same material as gate section, 120" standard height, prepped for the gate operating hardware and applicable mounting brackets. Standard Vertical Guide Column assemblies shall be fabricated to allow gate to bypass idler sheaves providing for a standard Clear Opening Height of 84".
- 5. Finish:**
  - a. Mild steel mezzanine gates; exposed surfaces to be Powder Coat Safety Yellow. Hardware/fasteners to be zinc plated.
  - b. Stainless steel mezzanine gates (304-2b or 316L); mill finish, acid washed. Interfering welds ground smooth, not polished. Hardware/fasteners to be stainless steel.
- 6. Warranty:** To be One (1) Year from date of shipment, finish excluded.
- 7. Available Options:**
  - a. Electric and Pneumatic Operation/Electric Controls: Remote Controls, includes one (1) Universal Co-Axial Receiver and one (1) keypad transmitter.
- 8. Exclusions:**
  - a. All electric wiring or airline piping to and between all components by others.
  - b. Due to variances in field conditions, it is the responsibility of the installer to ensure that the product is installed to mounting structure that is capable of supporting all imposed loading from the product. The installer is responsible for ensuring that the provided fastening hardware or field configured mounting arrangement is capable of supporting all field loads and meets applicable codes and regulations.