

**VERTICAL MEZZANINE GATE  
MEASURING GUIDE & ORDER FORM**

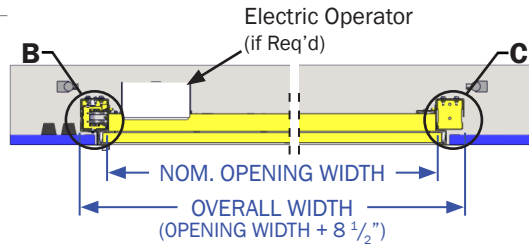


1150 S. 48<sup>TH</sup> STREET, GRAND FORKS, ND 58201  
**Phone:** 701.746.4519 | **Toll Free:** 877.446.1519  
**Website:** pssafetyaccess.com  
**Email:** 4psinfo@psindustries.com

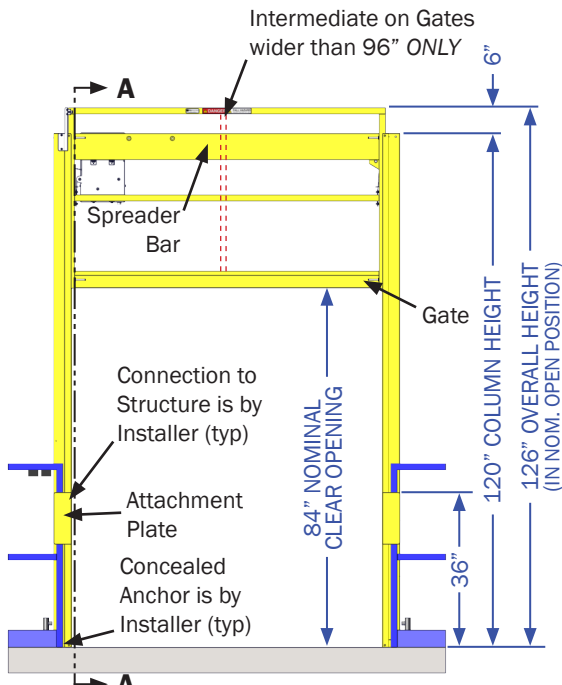
**SAFEMEZZ®**

Vertical Gate

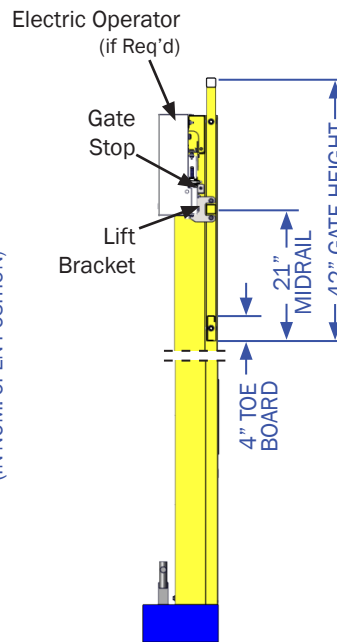
| STOCK FINISH OPTION |                           |
|---------------------|---------------------------|
| PCY                 | Powder Coat Safety Yellow |



**TOP VIEW**



**FRONT VIEW**



**SECTION A-A**

\*Details located on page 2.

QUOTATION REQUESTED

MEZZANINE GATE ORDER

**SOLD/QUOTE TO:**

NAME:  
 COMPANY:  
 ADDRESS:  
 CITY, STATE, ZIP:  
 PHONE: FAX:  
 EMAIL:

**SHIP TO:**

NAME: DATE:  
 ADDRESS: P.O.#:  
 CITY, STATE, ZIP: TAG:  
 PHONE: SHIP VIA:

\*For orders or product inquiries please email 4psinfo@psindustries.com

| MODEL / SIZE | GATE MODEL / SIZE                                       |                       |     |          |                       |     |
|--------------|---|-----------------------|-----|----------|-----------------------|-----|
|              | MODEL ID  | NOMINAL OPENING WIDTH | QTY | MODEL ID | NOMINAL OPENING WIDTH | QTY |
| 048          | 4'-0" (48")   |                       |     | 144      | 12'-0" (144")         |     |
| 072          | 6'-0" (72") STOCK SIZE<br><i>(Standard Column Only)</i> |                       |     | 168      | 14'-0" (168")         |     |
| 096          | 8'-0" (96") STOCK SIZE<br><i>(Standard Column Only)</i> |                       |     | 192      | 16'-0" (192")         |     |
| 120          | 10'-0" (120")   |                       |     | CUSTOM   |                       |     |

**OPERATION:**

MANUAL (M)     PNEU/ELEC (N)  
 ELECTRIC (E)     PNEU/PNEU (P)

**MOUNTING LOCATION:**

DECK MOUNT (D)  
 FACE MOUNT (F)

**MATERIAL FINISH:**

MILD STEEL (POWDER COAT SAFETY YELLOW)  
 304 STAINLESS STEEL (UNFINISHED/ MILL)

**COLUMN HEIGHT:**

STANDARD (120")  
 CUSTOM   
 CUSTOM CLEAR OPENING HEIGHT:

**ELECTRIC CONTROL OPTIONS:**

KEYPAD; WIRELESS DOOR OPENER (PN 517153)     SWITCH; CEILING PULL CORD (PN 501715)

## VERTICAL MEZZANINE GATE MEASURING GUIDE & ORDER FORM

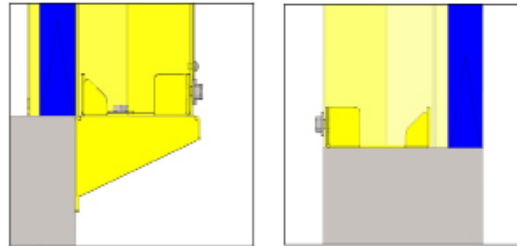


1150 S. 48<sup>TH</sup> STREET, GRAND FORKS, ND 58201  
**Phone:** 701.746.4519 | **Toll Free:** 877.446.1519  
**Website:** pssafetyaccess.com  
**Email:** 4psinfo@psindustries.com

# SAFEMEZZ<sup>®</sup>

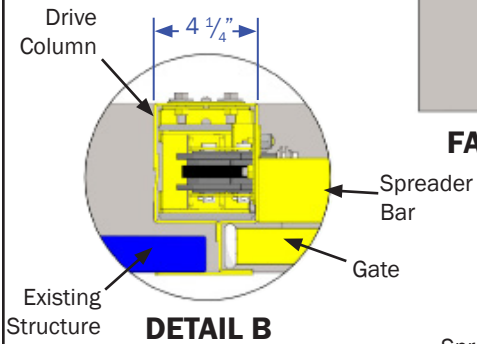
*Vertical Gate*

### MOUNTING OPTIONS

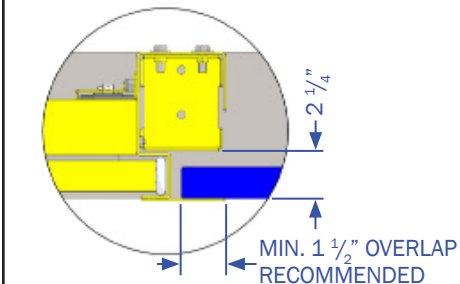


**FACE MOUNT**

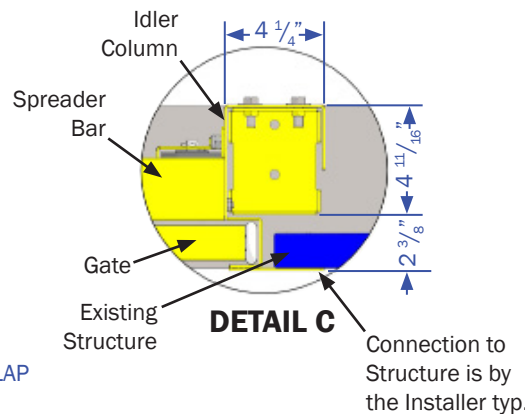
**DECK MOUNT**



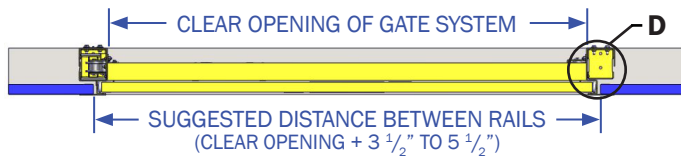
**DETAIL B**



**DETAIL D**



**DETAIL C**



**RAILING REFERENCE**

### VERTICAL MEZZANINE GATE TECHNICAL DATA:

- 1. Operation:**
  - a. Manual: counterweighted for ease of operation.
  - b. Electric: Electric Drive Operation, 115 VAC, (24 VDC Secondary), 60 HZ, 1/2 HP. Operator control panel includes time-to-close capability, obstruction sensing and two (2) one-button remotely located push button stations. Includes Red-colored WARNING strobe light, activates when gate is open.
  - c. Pneumatic Operation/Electric Controls:
    - 1). Pneumatic Drive Cylinder requires 90-100 psi clean and dry air, provided by the installer.
    - 2). Electric Drive Operation, 115 VAC, (24 VDC Secondary), 60 HZ, 1/2 HP. Operator control panel includes time-to-close capability, obstruction sensing and two (2) one-button remotely located push button station. Includes Red-colored WARNING strobe light, activates when gate is open.
  - d. Pneumatic Operation/Pneumatic Controls: Pneumatic Drive Cylinder requires 90-100 psi clean and dry air, provided by the installer. Includes two (2) one-button remotely located push button stations.
- 5. Mounting Location:**
  - a. Deck Mount
  - b. Face Mount
- 3. Gate Section:** To be factory welded frame work with horizontal top rail. Includes mid-rail, 4" high toe board, 42" overall height, and vertical members not to exceed 8'0" on center. Gate to have a minimum of four (4) non-corrosive guide blocks, no lubrication required. Gate shall meet or exceed Federal OSHA standard for standard railings at the time of manufacture relative to dimensions and loading. To be fabricated from one of the following:
  - a. Mild Steel
  - b. 304-2b Stainless Steel
- 3. Vertical Guide Column Assembly:** Shall consist of formed columns of the same material as gate section, 120" standard height, prepped for the gate operating hardware and applicable mounting brackets. Standard Vertical Guide Column assemblies shall be fabricated to allow gate to bypass idler sheaves providing for a standard Clear Opening Height of 84".
- 4. Finish:**
  - a. Mild steel mezzanine gates; exposed surfaces to be Powder Coat Safety Yellow. Hardware/fasteners to be zinc plated.
  - b. Stainless steel mezzanine gates (304-2b); mill finish, acid washed. Interfering welds ground smooth, not polished. Hardware/fasteners to be stainless steel.
- 3. Warranty:** To be One (1) Year from date of shipment, finish excluded.
- 4. Available Options:**
  - a. Remote Controls: gate systems with electric controls only.
  - b. Photo-Eyes: required on gate systems with electric controls only.
  - c. Universal Co-Axial Receiver: gate systems with pneumatic/electric controls only.
- 4. Exclusions:**
  - a. All electric wiring or airline piping to and between all components by others.
  - b. Due to variances in field conditions, it is the responsibility of the installer to ensure that the product is installed to mounting structure that is capable of supporting all imposed loading from the product. The installer is responsible for ensuring that the provided fastening hardware or field configured mounting arrangement is capable of supporting all field loads and meets applicable codes and regulations.