

**WARNING: LOAD RATINGS OF GATES WILL VARY BASED ON INDIVIDUAL INSTALLATION**

**NOTE:**  
GATE TO ATTACH TO MEZZANINE FLOOR AND BE ATTACHED TO ADJACENT RAILING SYSTEM TO PROVIDE STABILITY TO GATE COLUMNS.

**SUBMITTAL REVIEW**

APPROVER IS REQUIRED TO  ONE BOX ONLY AND SIGN

APPROVED; PROCEED WITH FABRICATION

APPROVED WITH CORRECTIONS; PROCEED WITH FABRICATION

REVISE AS NOTED & RESUBMIT

REJECTED

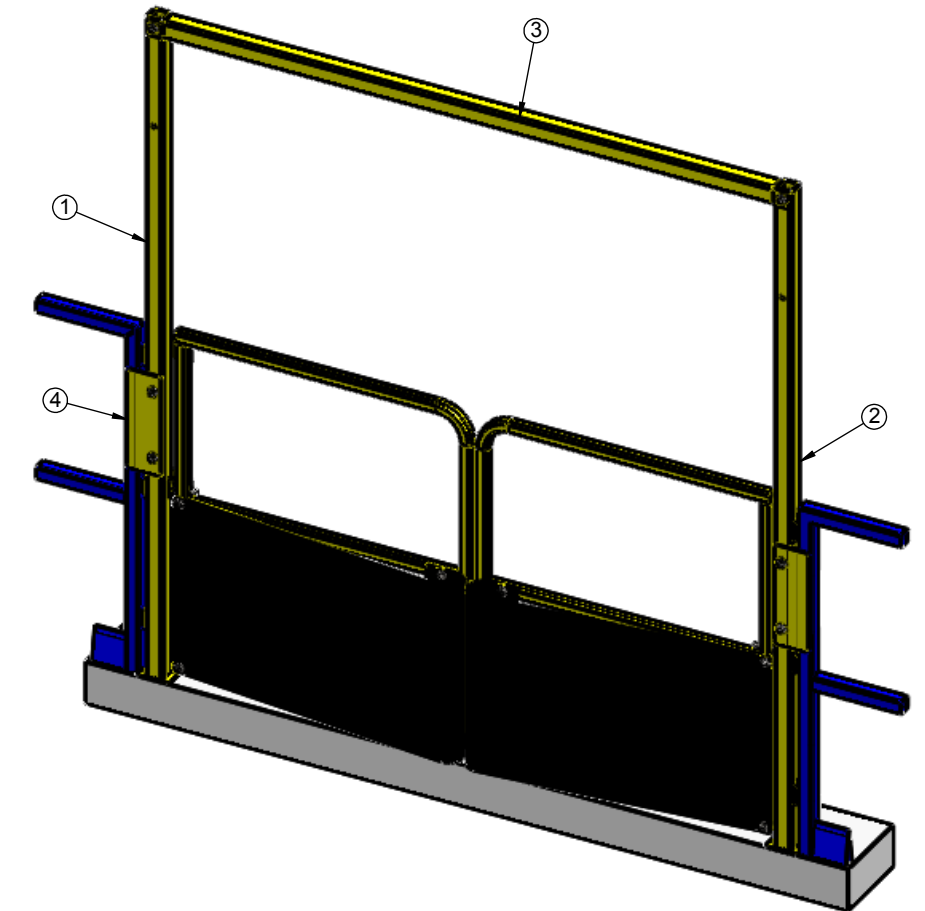
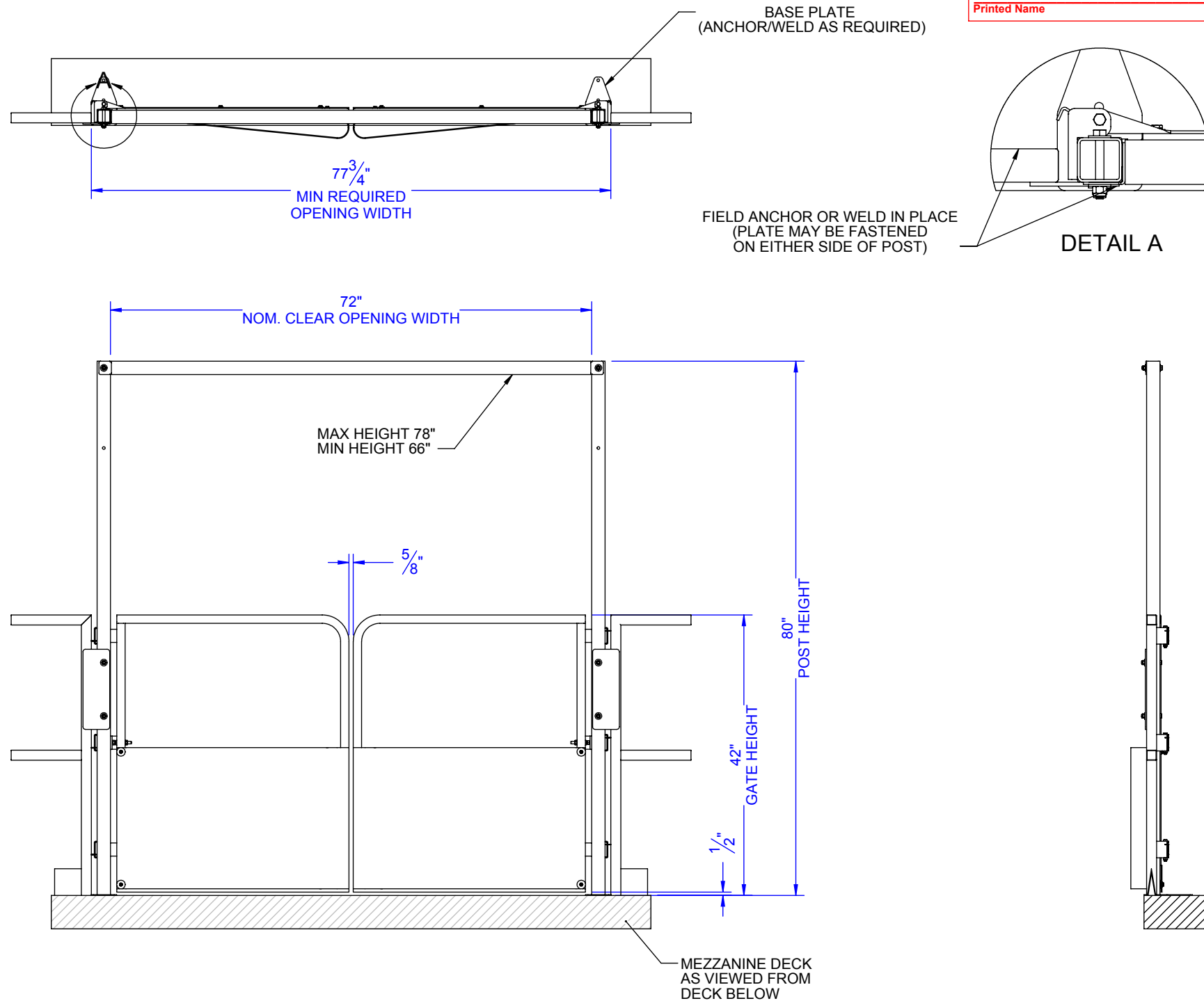
---

Signature \_\_\_\_\_ Date \_\_\_\_\_

---

Printed Name \_\_\_\_\_

B.O.M. IS FOR QTY - 1				
ITEM NO.	PART NO.	DESCRIPTION	Qty	U/M
1	511564	PLG;LEFT HAND ASSY-72	1	EA
2	511565	PLG;RIGHT HAND ASSY-72	1	EA
3	502510	PLG;ASSY CROSS BAR - 72" PCY	1	EA
4	502210	PLG;VERTICAL POST PLATE PCY	2	EA
5	506973	PLG;CARTON;84"X 7.5"X44",KRAFT	1	EA
6	500406	BOLT;HEX3/8"16X2 3/4GR5ZN	6	EA
7	501947	WASHER;FLAT 3/8"ZN	8	EA
8	501120	NUT;NYLOCK 3/8"16 ZN	6	EA



- GATE ARM: FORMED 1 1/4" SQUARE, 11GA
- COLUMNS/CROSSBAR: 2" SQUARE, 11GA
- HINGE SPRING: TORSION TYPE, STAINLESS STEEL PROVIDE (3) SPRINGS PER GATE, HOUSED WITHIN HINGE PIVOT.
- TEARDROP IMPACT BUMPERS: HIGH IMPACT CROSS-LINKED POLYETHYLENE BUMPERS WITH 3" PROJECTION. BLACK IN COLOR
- GATE OPERATION: ALLOWS FOR 180° OF TRAVEL.
- FINISH: FINISH ON ALL EXPOSED SURFACES TO BE POWDER COATED SAFETY YELLOW

FINISH:  
SHERWIN WILLIAMS POLYESTER POWDER COAT SAFETY YELLOW

REV.	REVISIONS	DATE	REVISED BY	PRODUCT DESCRIPTION: PALLET GATE, 72" X 84"	SN/WO:	PART #: PLG-7284
				CUSTOMER:	DWG STATUS:	UNLESS OTHERWISE SPECIFIED
				CUSTOMER PO #:	<b>APPROVAL DRAWING</b>	LINEAR ± .0312" (1/32")
				SALES ORDER NAME: PS DOORS - STOCK	ESTIMATED ASSEMBLY WEIGHT: <b>293.77 LBS.</b>	CUTOUT ± .0156" (1/64")
				SALES ORDER #:	DWG #: PLG-7284	SQUARENESS ± .0625" (1/16")
					DWG BY: adeshaw	ANGULAR ± .5°
					CHECKED: /	DATE:
						SCALE: NTS
						SHEET #: 1 OF 1
						REV: B+

**PS DOORS**  
1150 48th St. S  
GRAND FORKS, ND 58201  
PH. 701-746-4519  
FAX 701-746-8340