

**WARNING: LOAD RATINGS OF GATES WILL VARY BASED ON INDIVIDUAL INSTALLATION**

**NOTE:**  
GATE TO ATTACH TO MEZZANINE FLOOR AND BE ATTACHED TO ADJACENT RAILING SYSTEM TO PROVIDE STABILITY TO GATE COLUMNS.

**SUBMITTAL REVIEW**

APPROVER IS REQUIRED TO  ONE BOX ONLY AND SIGN

APPROVED; PROCEED WITH FABRICATION

APPROVED WITH CORRECTIONS; PROCEED WITH FABRICATION

REVISE AS NOTED & RESUBMIT

REJECTED

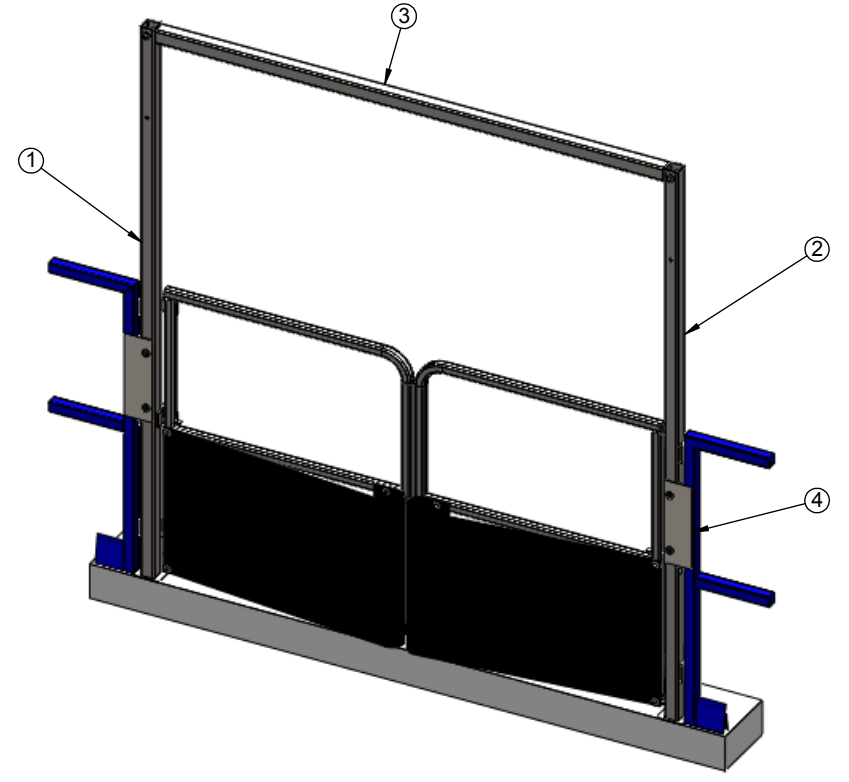
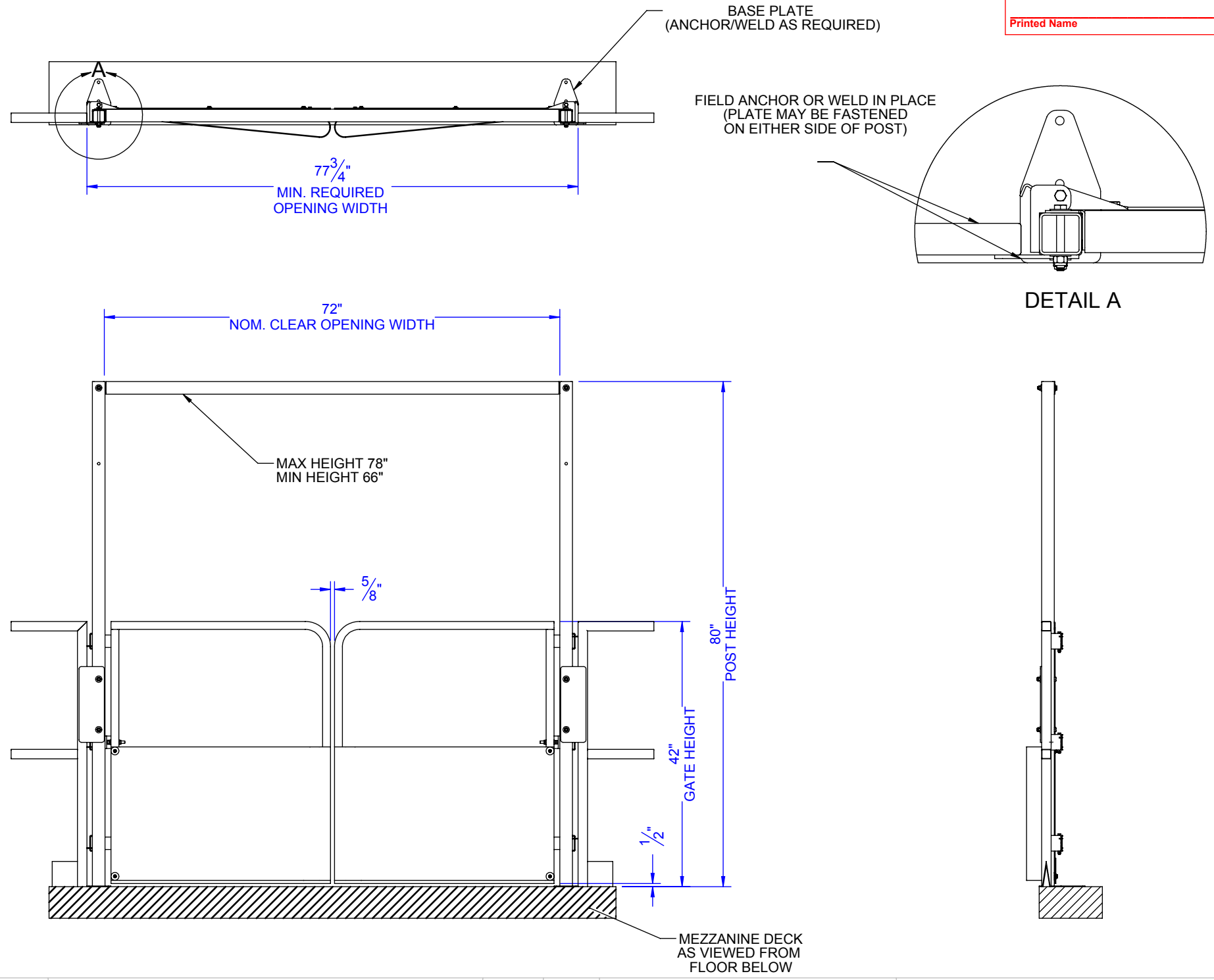
---

Signature \_\_\_\_\_ Date \_\_\_\_\_

---

Printed Name \_\_\_\_\_

B.O.M. IS FOR QTY - 1				
ITEM NO.	PART NO.	DESCRIPTION	Qty	U/M
1	511562	PLG;LEFT HAND ASSY-72-SST	1	EA
2	511563	PLG;RIGHT HAND ASSY-72-SST	1	EA
3	503195	PLG;ASSY CROSS BAR 72"-SS	1	EA
4	503196	PLG;VERTICAL POST PLATE SS	2	EA
5	506973	PLG;CARTON;84"X 7.5"X44",KRAFT	1	EA
6	501945	WASHER;FLAT 3/8"SS	8	EA
7	501119	NUT;NYLOCK 3/8"16 316SS	6	EA
8	503199	BOLT;HEX3/8"16X2 3/4SS	6	EA



- GATE ARM: FORMED 1 1/4" SQUARE, 11GA TYPE 304 STAINLESS STEEL
- COLUMNS/CROSSBAR: 2" SQUARE, 11GA TYPE 304 STAINLESS STEEL
- HINGE SPRING: TORSION TYPE, STAINLESS STEEL PROVIDE (3) SPRINGS PER GATE, HOUSED WITHIN HINGE PIVOT.
- TEARDROP IMPACT BUMPERS: HIGH IMPACT CROSS-LINKED POLYETHYLENE BUMPERS WITH 3" PROJECTION. BLACK IN COLOR
- GATE OPERATION: ALLOWS FOR 180° OF TRAVEL.
- FINISH: FINISH ON ALL EXPOSED SURFACES TO BE TYPE 304-2B STAINLESS STEEL WELDS TO BE GROUND NOT POLISHED.

FINISH:  
304 STAINLESS STEEL  
DEBURRING - EDGE SANDING AND/OR FILING ONLY ARE PERMISSIBLE  
NO SURFACE SANDING OR GRINDING

REV.	REVISIONS	DATE	REVISED BY	<p align="center"><small>PROPRIETARY AND CONFIDENTIAL</small></p> <p align="center"><small>DRAWINGS ARE EXCLUSIVE PROPERTY OF PRODUCTION SPECIALTIES CORPORATION AND CANNOT BE USED IN WHOLE OR PART WITHOUT WRITTEN CONSENT. © 2011 P.S. DOORS ALL RIGHTS RESERVED</small></p>	PRODUCT DESCRIPTION: PALLET GATE, SST 72" X 84"	SN/WO:	PART #: <b>PLG-7284-SST</b>
					CUSTOMER:	DWG STATUS: <b>APPROVAL DRAWING</b>	UNLESS OTHERWISE SPECIFIED
					CUSTOMER PO #:	ESTIMATED ASSEMBLY WEIGHT: <b>296.88 LBS.</b>	LINEAR ± .0312" (1/32")
					SALES ORDER NAME: PS DOORS - STOCK	DWG #: PLG-7284-SST	CUTOUT ± .0156" (1/64")
					SALES ORDER #:	DWG BY: adeshaw	SQUARENESS ± .0625" (1/16")
					FOLDING MACHINE PROGRAM #:	CHECKED: /	ANGULAR ± .5°
					WATERJET PROGRAM #:	REV: B+	

1150 48th St. S  
 GRAND FORKS, ND 58201  
 PH. 701-746-4519  
 FAX 701-746-8340  
 Rev. Date: 091316