



## Compliance Requires That Hatch Openings Must Be Protected

It is easy to ignore safety precautions with roof hatches because most of us simply do not use them very much. However, for those maintenance workers who need to come and go through roof openings to complete their jobs every day, safety around an open hatch is paramount.

**IN MOST SITUATIONS, OSHA REGULATION 29 CFR 1910.23 REQUIRES THAT THE EXPOSED SIDES OF OPENINGS IN FLOORS HAVE GUARDRAIL PROTECTION.**

**OSHA also acknowledges that similar safety issues exist with roofs.**

In fact, the American National Standards Institute (ANSI) standard A1264.1-1995, Safety Requirements of Workplace Floor and Wall Openings, Stairs and Railing Systems, requires that the exposed sides of ladderway openings in any working or walking surface be protected by guardrails.

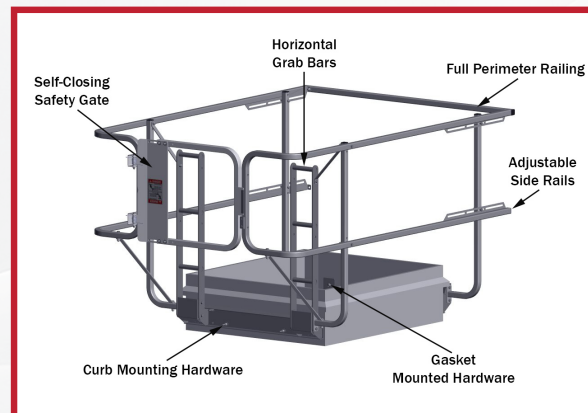
Unprotected openings in roofs, therefore, could likely be cited under the general duty clause of the Occupational Safety and Health Act, requiring an employer to provide a workplace free from these recognized hazards.

PS Access Solutions manufactures the industry's leading solution to this safety challenge:

- **HatchSafe®** is designed to meet federal OSHA safety railing requirements. It provides permanent, four-sided protection designed specifically for your roof hatch opening, ensuring a safe, stable grip for employees entering and exiting the roof hatch.

**Sources:** Open roof hatches should be protected; grab... Standards Interpretations, Standard Number 1910.27(c)(7); 1910.23, Fairfax, Richard E. (2000). Directorate of Enforcement Programs, United States Department of Labor.

[https://www.osha.gov/pls/oshaweb/owadisp.show\\_document?p\\_table=INTERPRETATIONS&p\\_id=23740](https://www.osha.gov/pls/oshaweb/owadisp.show_document?p_table=INTERPRETATIONS&p_id=23740)



**Contact PS Access Solutions to give your workers improved safety when using ladders and roof hatches.**