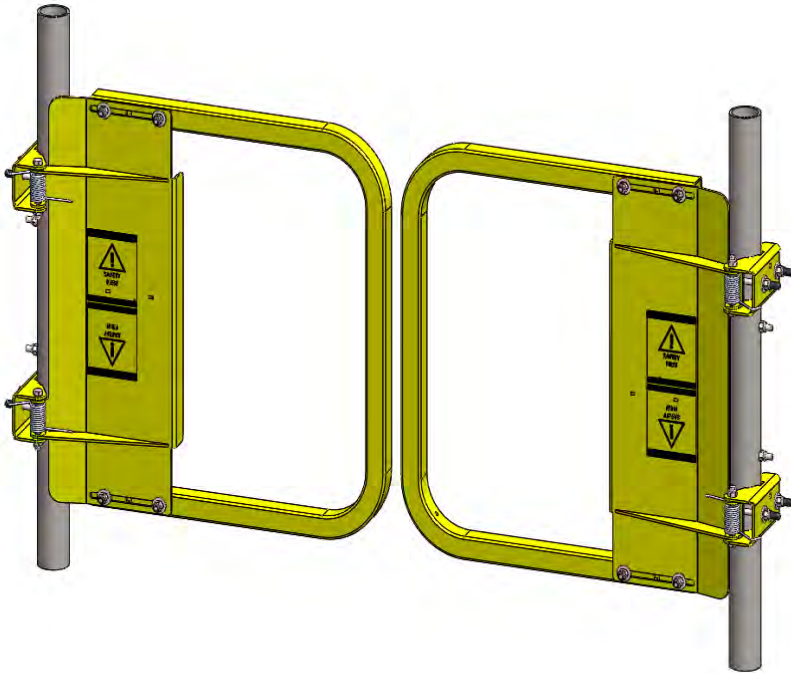


PAIRED LADDER SAFETY GATE



Installation Instructions and Operators Manual



MODELS

- Stainless Steel (SS)
- Powder Coat Yellow (PCY)
- Hot Dipped Galvanized (GAL)

TABLE OF CONTENTS

PAGE

Warranty Information	1
General Paired LSG Information	2
Installing the Support Channels.....	3
Installing on a Standard 2" O.D. Railing	4
Parts Diagram.....	5

To Contact PS DOORS:

By Mail: PS DOORS
Attn: PS Safety Access
1150 S. 48th Street
Grand Forks, ND 58201

By Phone: Phone 701.746.4519
Toll Free 877.446.1519

Website: www.psddoors.com

By Email: 4psinfo@psdoors.com

Hours of Operation: 8:00 am to 5:00 pm (Central Standard Time); Monday thru Friday

IMPORTANT! Read entire Instruction and Operations Manual to become familiar with the product.

NOTICE This product is a fall protection product. The effectiveness of the product is directly related to the proper installation and operation of this product. Failure to properly maintain this product **will** affect performance.

Publication Notice

This manual has been compiled and published covering the latest product descriptions and specifications.

The contents of this manual and the specifications of this product are subject to change without notice.

PS DOORS reserves the right to make changes without notice in the specifications and materials contained herein and shall not be responsible for any damages (including consequential) caused by reliance on the materials presented, including but not limited to typographical and other errors relating to the publication.

PS DOORS—LIMITED WARRANTY

LIMITED WARRANTY

PS DOORS warrants this product and components to be free from defects in material and workmanship for a period of one (1) year from date of shipment. If within the term of this warranty, any Ladder Safety Gate or component is found to be defective upon inspection by an authorized PS DOORS representative, PS DOORS will replace or repair, at PS DOORS' discretion, any part found to be defective. Any field labor charges incurred are the sole responsibility of the customer.

To make a claim under this warranty, contact PS DOORS at the address shown below.

PS DOORS	Toll Free: 877-446-1519
Attention: Warranty	Phone: 701-746-4519
1150 S. 48th Street	Fax: 701-746-8340
Grand Forks, ND 58201	E-mail: 4psinfo@psdoors.com

Unauthorized modification of or to this product voids the PS DOORS Limited Warranty. Accordingly, you can expect any request for warranty repair to be charged to you, if the product requires service after unauthorized modification. Authorized modifications, received in writing from PS DOORS, as long as the modification is accomplished in strict accordance with PS DOORS' instructions, does not void warranty. To request product modifications contact PS DOORS, 1150 S. 48th Street, Grand Forks, ND 58201, phone 877.446.1519, email: 4psinfo@psdoors.com.







PS DOORS SHALL NOT BE LIABLE FOR ANY CONSEQUENTIAL OR INCIDENTAL DAMAGES.

All other warranty's, express or implied including any warranty of merchantability, are expressly excluded. Some states do not allow the exclusion or limitation of consequential or incidental damages, so the above limitation or exclusion may not apply to you.

WARRANTY DOES NOT APPLY TO ANY DAMAGE OR DETERIORATION CAUSED BY MODIFICATION, ABUSE, APPLIED PAINT FAILURE OR FAILURE TO PROVIDE REASONABLE AND NECESSARY MAINTENANCE.

This warranty gives you specific legal rights, and you may also have other rights, which vary, from state to state.

Safety Precautions: The following icons are used throughout this Manual.

-  **DANGER** Indicates an imminently hazardous situation which, if not avoided, will result in death or serious injury.
-  **WARNING** Indicates a potentially hazardous situation which, if not avoided, could result in death or serious injury.
-  **CAUTION** Indicates a potentially hazardous situation which, if not avoided, may result in minor or moderated injury.
-  **NOTICE** Indicates manufacture's statement of additional information.
-  **IMPORTANT!** Indicates a required action.
-  **CRITICAL** Indicates a vital component to product performance.

NOTICE ADDITIONAL INFORMATION

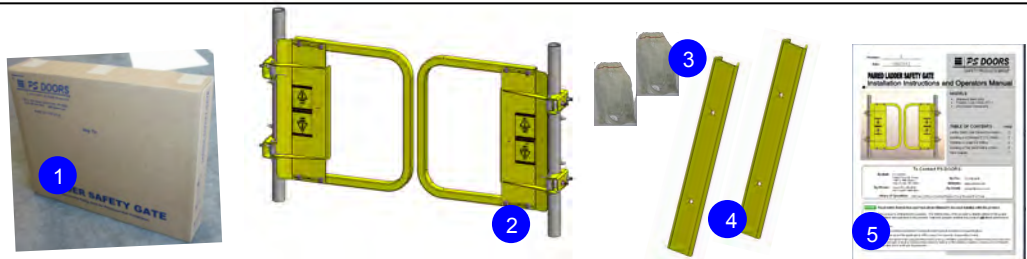
1. PS DOORS recommends that the owner implement a regular maintenance program to inspect the Paired Ladder Safety Gate. This program may require the replacement of worn components, touch up painting and dimensional adjustments or warning label replacement as necessary.
2. PS DOORS AND/OR ITS RESPECTIVE SUPPLIERS MAY MAKE IMPROVEMENTS AND/OR CHANGES IN THE PRODUCT(S) OR SERVICE(S) OFFERED AT ANY TIME WITHOUT NOTICE.
3. Retain this manual for future reference.

PS DOORS—LADDER SAFETY GATE

Included Items

1. Shipping Cartons*
2. Ladder Safety Gate (2)
3. Hardware Bag (2)
4. Support Channel Kit (2)
5. Installation/O&M Manual

* Not included with bulk orders.



I. GENERAL INFORMATION

This manual contains information regarding installation, operation, and maintenance of the Paired Ladder Safety Gate (PCY, GAL, SS). Operation in a manner other than intended could result in damage or less than acceptable performance, for which the manufacturer will not be held responsible.

This product is manufactured to specific guidelines. Unauthorized alteration in any way will result in voiding Factory Warranty, and may cause product to fail with potential serious consequences.

WARNING Ensure mounting surface is capable of supporting all loading (by others).

II. STORAGE PRIOR TO INSTALLATION OF PRODUCT

- A. Store materials in a dry, ventilated location. If outdoor storage is required, block materials and tarp in a tent-like arrangement, elevated above the product with open sides to allow airflow.

III. INSTALLATION SITE PREPARATION

- A. Clear work area of any debris.
- B. Ensure you have the necessary tools available.
- C. See recommended tool list next to specific installation instruction.

IV. PRE-INSTALLATION SAFETY PRECAUTIONS

- A. Ensure opening is clear of all obstructions through the entire proposed travel of the safety gate during operation.
- B. Comply with all OSHA Safety Regulations and/or company safety policies when installing.
- C. Install only on railing/surfaces capable of supporting all loading. Structural analysis of mounting surface is the responsibility of the owner.

V. OPERATION

- A. When ascending a ladder/entering the elevated platform:
 1. When the gate opening is reached, obtain a firm grip on the railing or ladder.
 2. Step through gate.
 3. **DO NOT USE THE LADDER SAFETY GATE AS A GRAB SURFACE WHILE ASCENDING THE LADDER.**
- B. When descending a ladder/exiting the elevated platform:
 1. Open the Ladder Safety Gate and obtain firm grip on railing.
 2. Maneuver yourself into the proper ladder descending position. **DO NOT USE THE LADDER SAFETY GATE AS A GRAB SURFACE WHILE DESCENDING THE LADDER.**
 3. Always maintain a firm grip on the railing or ladder.

NOTICE Unauthorized modification of this product voids the PS DOORS Limited Product Warranty. Accordingly, you can expect any request for warranty repair to be charged to you, if it requires service after modification. Authorized modifications, received in writing from PS DOORS, as long as the modification is accomplished strictly in accordance with PS DOORS' instructions, does not void warranty. To request product modifications contact PS DOORS.

VI. INSPECTION AND MAINTENANCE

- A. Fasteners and Mechanical Connections:
 1. All fasteners must be in place and adjusted to their original design standards. Replace any damaged components.
 2. Check for broken springs periodically to ensure proper functionality. Replace as necessary.
- B. Finishes: Touch up and repair finishes as necessary.

PAIRED LADDER SAFETY GATE INSTALLATION

C. Label: Replace if missing or illegible.

INSTALLATION – SUPPORT CHANNEL

See *Illustration 1*.

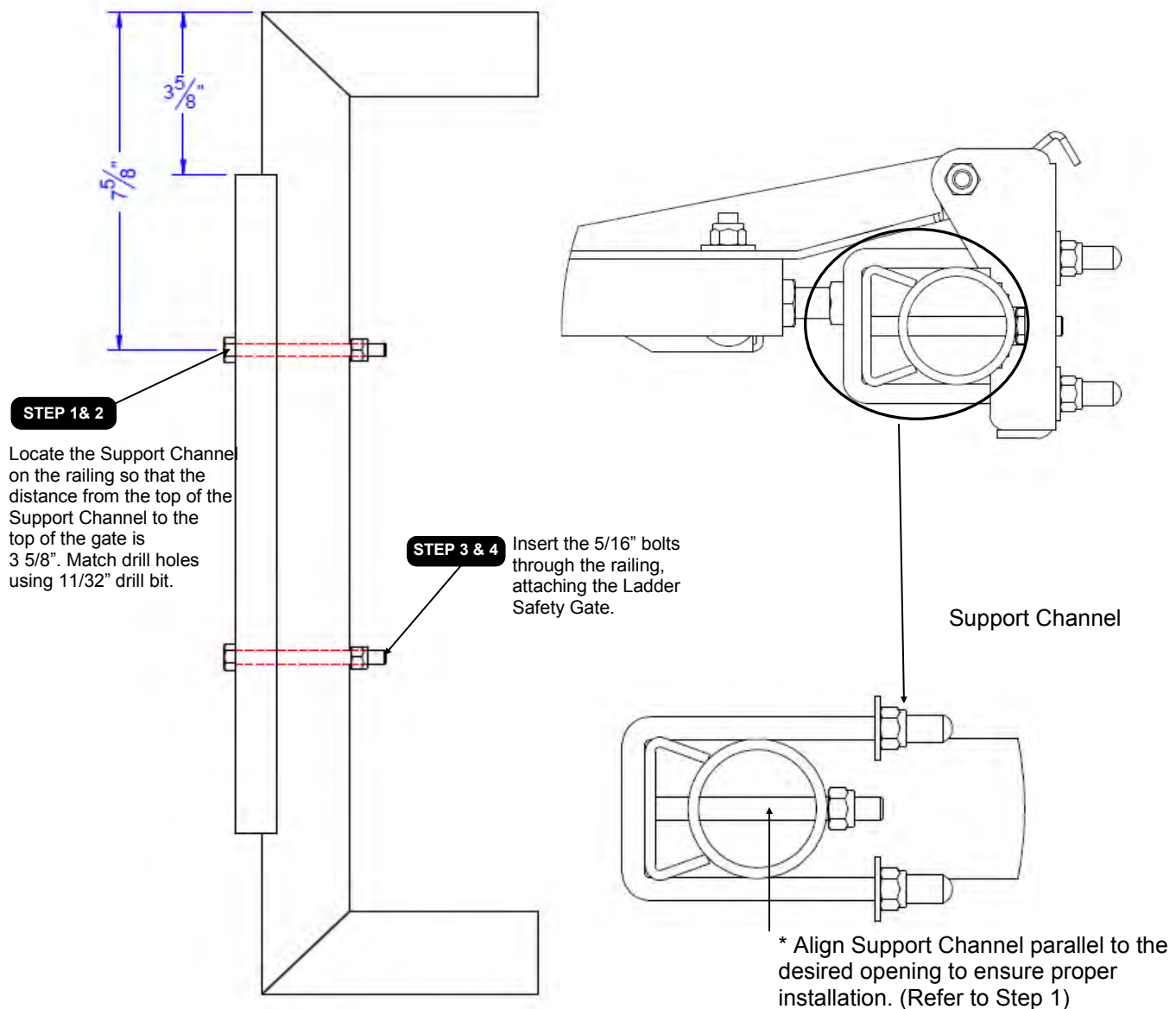
1. Locate the Support Channel on the railing so that the distance from top of the Support Channel to the desired top of the gate is $3\frac{5}{8}$ "*.
2. Match drill holes into the railing using a $1\frac{1}{32}$ " drill bit. (Holes in the Support Channel will align with the outside vertical holes on hinge brackets.)
3. Insert the $\frac{5}{16}$ " bolts through the railing, loosely securing the support channel to the railing.
4. Loosely attach the Ladder Safety Gate to the railing with the $\frac{5}{16}$ " bolts, then install the squared U-Bolt. Do not tighten, additional adjustment may be required.
5. Repeat steps 1-4 for the other side.

Recommended Tools

- (1) $\frac{1}{2}$ " deep-well socket and ratchet
- (1) Wrench Set
- (1) Electric Drill
- (1) $1\frac{1}{32}$ " drill bit
- (1) Measuring Tape

Illustration 1.

INSTALLATION - SUPPORT CHANNEL AND MOUNTING BLOCK



PAIRED LADDER SAFETY GATE INSTALLATION

INSTALLATION ON A 2" O.D. RAILING

See *Illustration 2*.

6. Adjust hoop/gate arms to proper opening width by selecting any combination of two of the three carriage bolt holes at connection point for hinge plate and hoop/gate arms.
7. Operate the gates through full swing range to check for proper alignment.
8. Tighten Square U-Bolts and Support Channel bolts in final position. Install plastic cover protective thread caps (optional).

NOTICE PS DOORS recommends to leave a 1" clearance between the gates for typical gate operation.

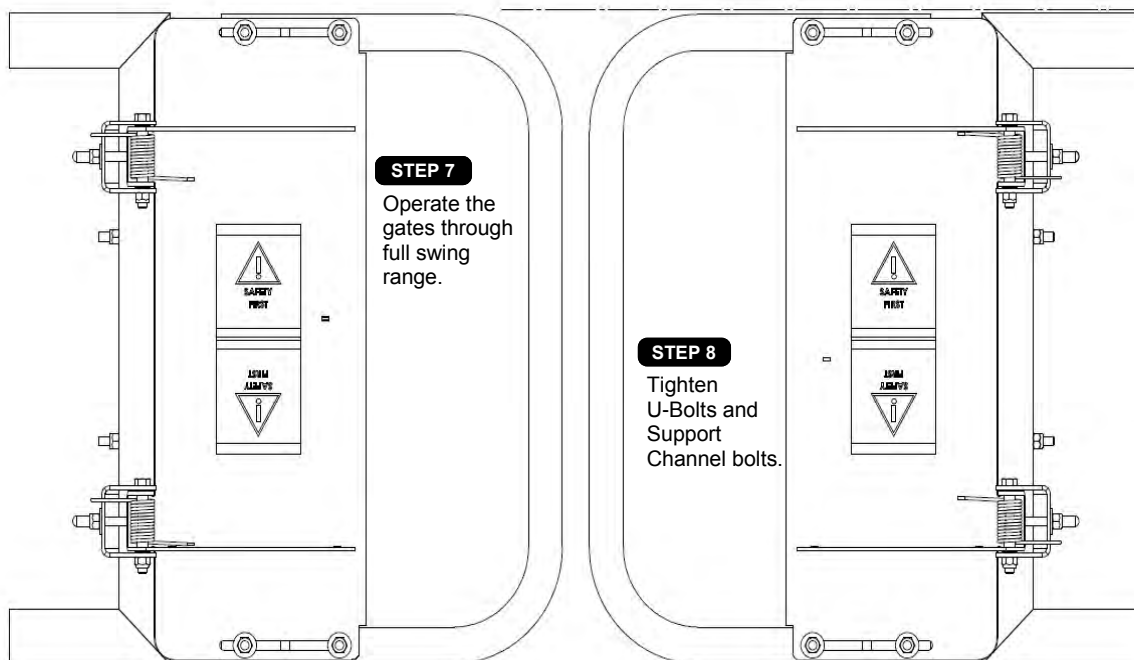
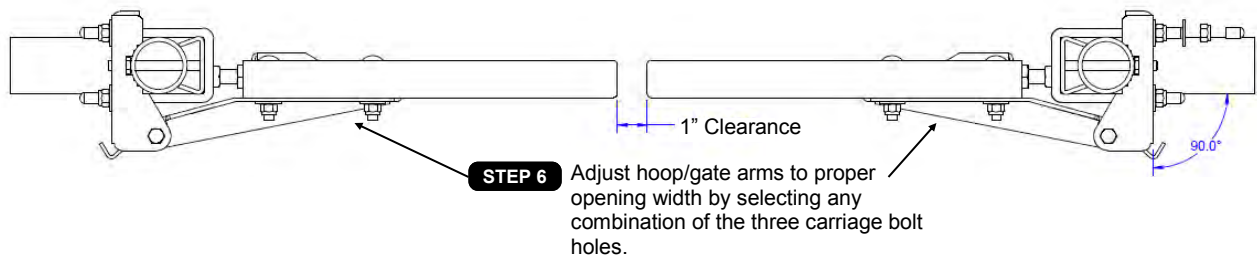
WARNING

Tighten each U-bolt to **20 ft/lbs** of torque and field verify for adequate attachment.

Illustration 2. INSTALLATION - STANDARD PIPE RAILING

CRITICAL VERIFY INSTALLATION

1. Ensure all bolts/nuts are tight.
2. Operate gate to ensure free movement.

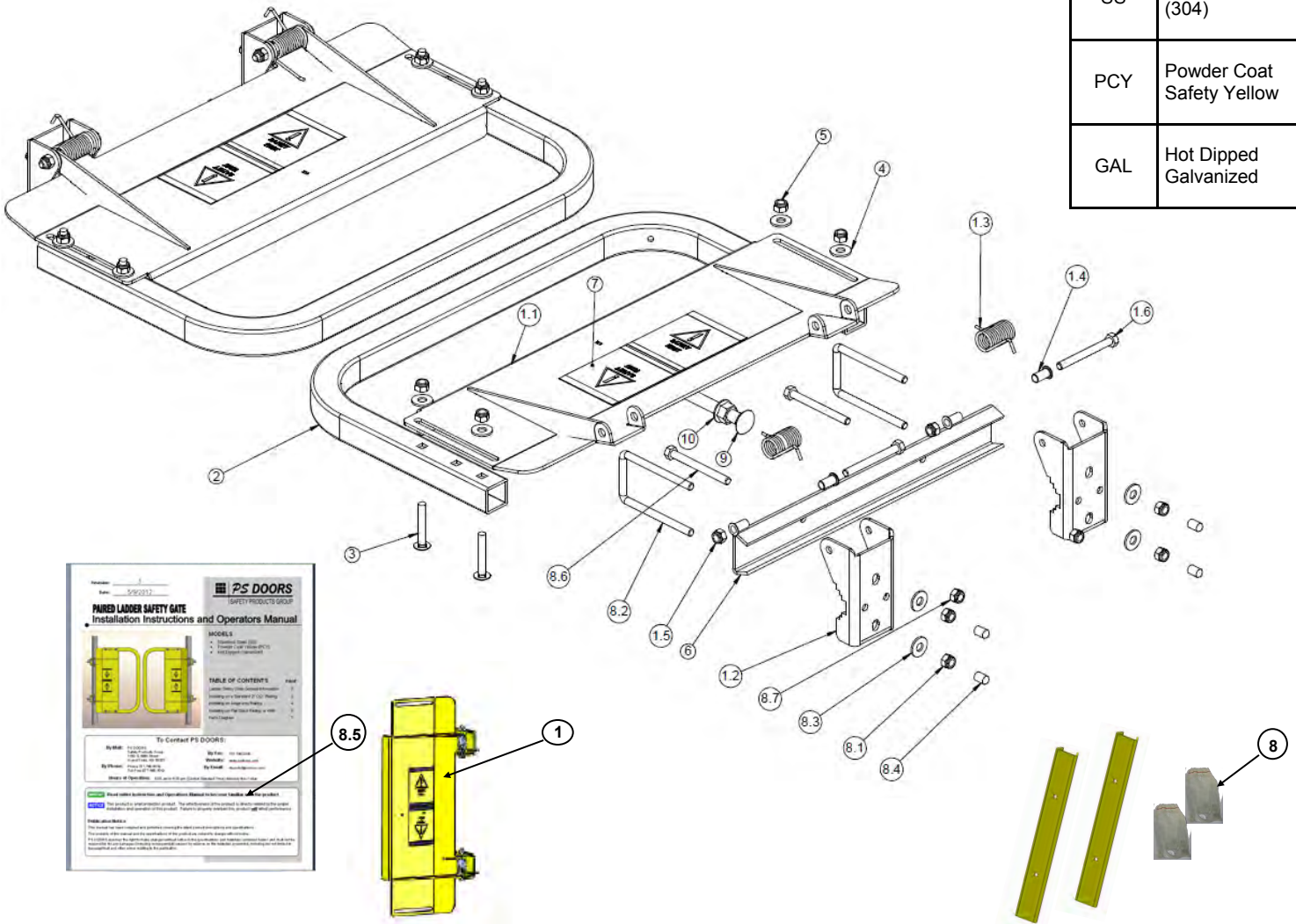


PARTS DIAGRAM

Note 1: Paired Ladder Safety Gate is shipped fully assembled. Diagram is for part identification only.

Note 2: This diagram is for all Paired Ladder Safety Gate models.

Finish Options	
SS	Stainless Steel (304)
PCY	Powder Coat Safety Yellow
GAL	Hot Dipped Galvanized



Parts List

#	DESCRIPTION	Qty.	Gate Finish Type		
			SS	PCY	GAL
1	LSG Hinge Plate Assembly	2	510846	510410	510123
1.1	Hinge Plate	2	510849	510409	510367
1.2	LSG, Railing/Mounting Bracket	4	501007	501006	501004
1.3	Spring; Torsion Spring, St. Sl**	4	501659	501659	501659
1.4	Bearing; G300 Flange, .3125ID	8	509753	509753	509753
1.5	Nut; Nylock 5/16"-18	4	501121	501126	501126
1.6	Bolt; Hex 5/16"-18 x 3"	4	500433	500431	500431
2	LSG; Hoop/Gate Arm—XX	2	Part # dependent on size of gate. Consult factory.		
3	Bolt; Carriage 5/16"-18 x 2"	4	509980	500326	500326
4	Washer; Flat 5/16"	8	501948	501949	501949
5	Nut; Nylock 5/16"-18	8	501121	501126	501126
6	Railing Support Channel	2	510844	510413	510128
7	Decal	4	500569	500569	500569
8	LSG Hardware Bag	2	510420	510396	510396
8.1	Nut; Nylock 5/16"-18	8	501121	501126	501126
8.2	Bolt; Square U 5/16" 18 x 1 1/2" Pipe	4	510421	510125	510125
8.3	Washer; Flat 5/16"	8	501948	501949	501949
8.4	LSG; Cap Plastic for 5/16" Bolt	8	500932	500932	500932
8.5	LSG; Installation and O&M	1	510978	510978	510978
8.6	Bolt; Hex 5/16"-18 x 3 1/4"	4	511485	502710	502710
8.7	Nut; Nylock 5/16"	2	501121	501126	501126
9	Bolt; Carriage 1/2" 13x3 1/2"	2	503293	500315	500315
10	Nut; Flange 1/2" -13	2	503936	502903	502903

** For replacement springs, order Torsion Spring Kit (part #511686). Kit includes (1) LSG Torsion Spring, (2) bushings and installation instructions.

To Order Parts Contact PS DOORS at 877.446.1519 or 4psinfo@psdoors.com