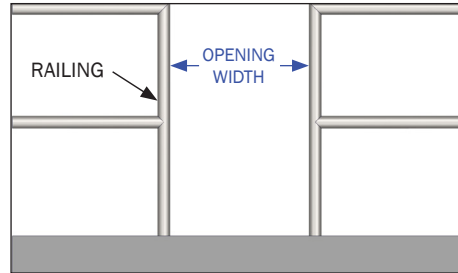
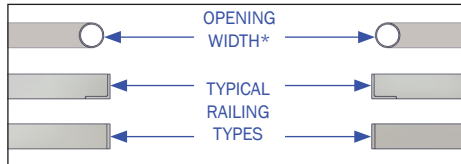


ADJUSTABLE SAFETY GATE MEASURING GUIDE & ORDER FORM



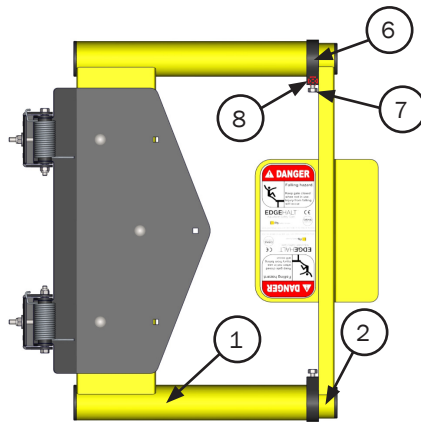
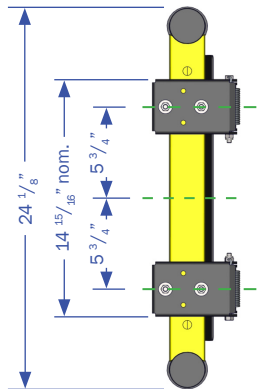
1150 S. 48TH STREET, GRAND FORKS, ND 58201
Phone: 701.746.4519 | **Toll Free:** 877.446.1519
Website: pssafetyaccess.com
Email: 4psinfo@psindustries.com



*If bolting to angle iron, flat bar or wall surface, Adjustable Safety Gate opening width changes to 20 1/2" to 38 1/2".

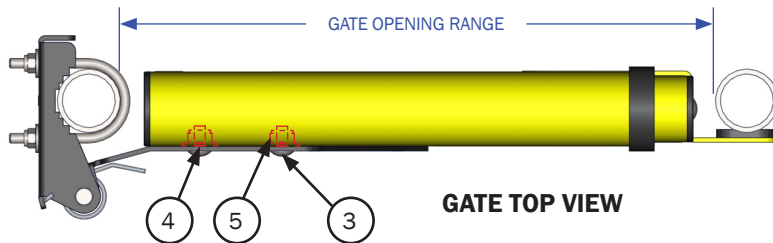
RAILING TOP VIEW

RAILING FRONT VIEW



GATE SIDE VIEW

GATE FRONT VIEW



GATE TOP VIEW

QUOTATION REQUESTED

ADJUSTABLE SAFETY GATE ORDER

SOLD/QUOTE TO:

NAME: _____

COMPANY: _____

ADDRESS: _____

CITY, STATE, ZIP: _____

PHONE: _____ FAX: _____

EMAIL: _____

SHIP TO:

NAME: _____ DATE: _____

ADDRESS: _____ P.O.#: _____

CITY, STATE, ZIP: _____ TAG: _____

PHONE: _____ SHIP VIA: _____

| ITEM # | DESCRIPTION | QUANTITY |
|--------|-----------------------------|----------|
| 1 | ASG;LARGE HOOP ASM | 1 |
| 2 | ASG;SMALL HOOP ASM | 1 |
| 3 | BOLT;CARRIAGE 5/16"X3/4"GR5 | 3 |
| 4 | WASHER;FLAT 5/16" ZN | 3 |
| 5 | NUT;NYLOCK 5/16"18ZN | 3 |
| 6 | ASG;TUBE CLAMP RING ANO BLK | 2 |
| 7 | BOLT;HEX5/16"18X3/4GR5ZN | 2 |
| 8 | NUT;JAM 5/16"18 ZN | 2 |

| GATE MODEL/SIZE | | GATE FINISH TYPE |
|-----------------|---|------------------|
| MODEL | OPENING WIDTH* (Gate Will Fit Ranges Listed Below) | PCY |
| ASG-1836 | 18" to 36" | |

-Put Gate quantity in white table cells.

*If bolting to angle iron, flat bar or wall surface, Adjustable Safety Gate opening width changes to 20 1/2" to 38 1/2".

| FINISH OPTION | |
|---------------|---------------------------|
| PCY | Powder Coat Safety Yellow |