

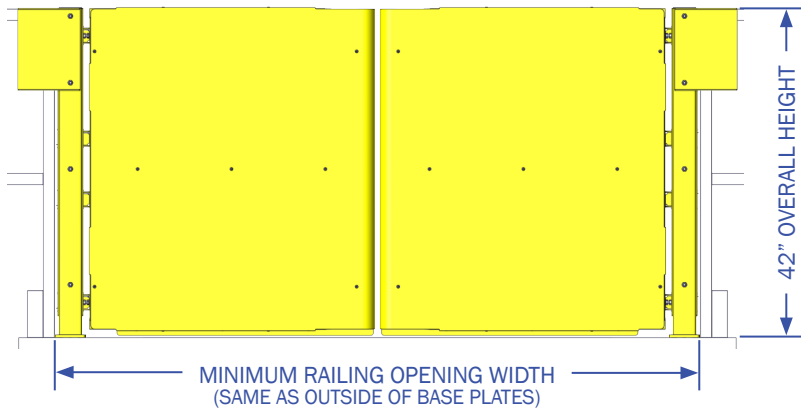
# PALLET GATE MEASURING GUIDE & ORDER FORM



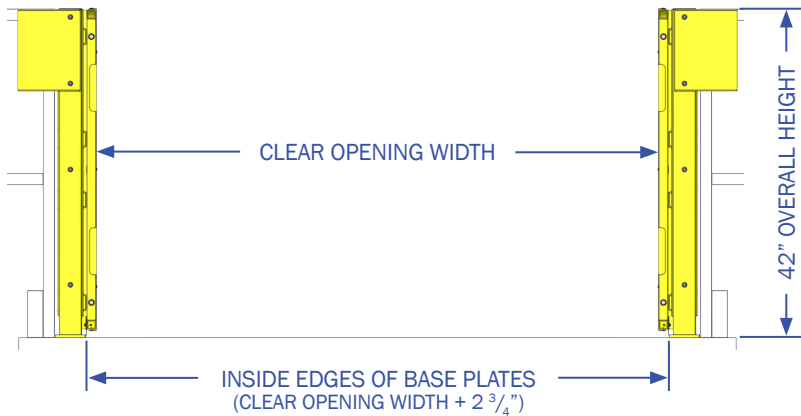
1150 S. 48<sup>TH</sup> STREET, GRAND FORKS, ND 58201  
**Phone:** 701.746.4519 | **Toll Free:** 877.446.1519  
**Website:** pssafetyaccess.com  
**Email:** 4psinfo@psindustries.com

## SAFEMEZZ®

*Pallet Gate*



**FRONT VIEW CLOSED**



**FRONT VIEW OPEN**

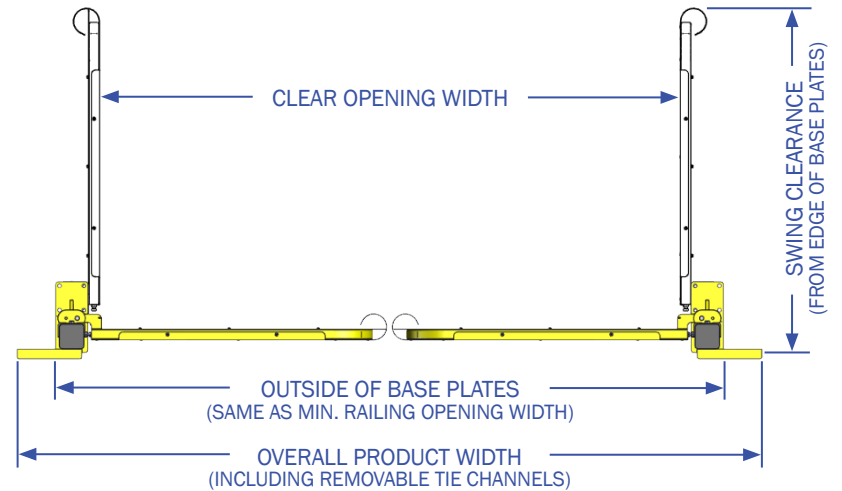
QUOTATION REQUESTED

PALLET GATE ORDER

GATE MODEL/SIZE	GATE MODEL/SIZE				GATE QUANTITY	
	MODEL	CLEAR OPENING WIDTH	SWING CLEARANCE	MIN. RAILING OPENING WIDTH		OVERALL PRODUCT WIDTH
GATE MODEL/SIZE	PLG-60-PCY	60"	36 1/2"	70 3/4"	80"	
	PLG-60-SST	60"	36 1/2"	70 3/4"	80"	
	PLG-72-PCY	72"	42 1/2"	82 3/4"	92"	
	PLG-72-SST	72"	42 1/2"	82 3/4"	92"	
	PLG-96-PCY	96"	54 1/2"	106 3/4"	116"	
	PLG-96-SST	96"	54 1/2"	106 3/4"	116"	

-Put Gate quantity in white table cells.

FINISH OPTION	
PCY	Powder Coat Safety Yellow
SST	Stainless Steel



**TOP VIEW**