

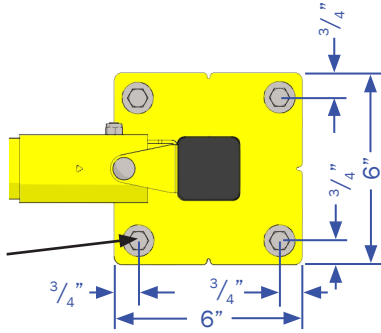
SAFETY RAILING MEASURING GUIDE



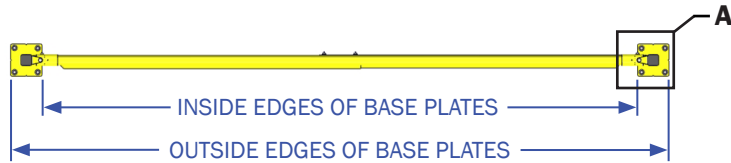
1150 S. 48TH STREET, GRAND FORKS, ND 58201
Phone: 701.746.4519 | **Toll Free:** 877.446.1519
Website: pssafetyaccess.com
Email: 4psinfo@psindustries.com

EDGESAFE[®] Safety Railing

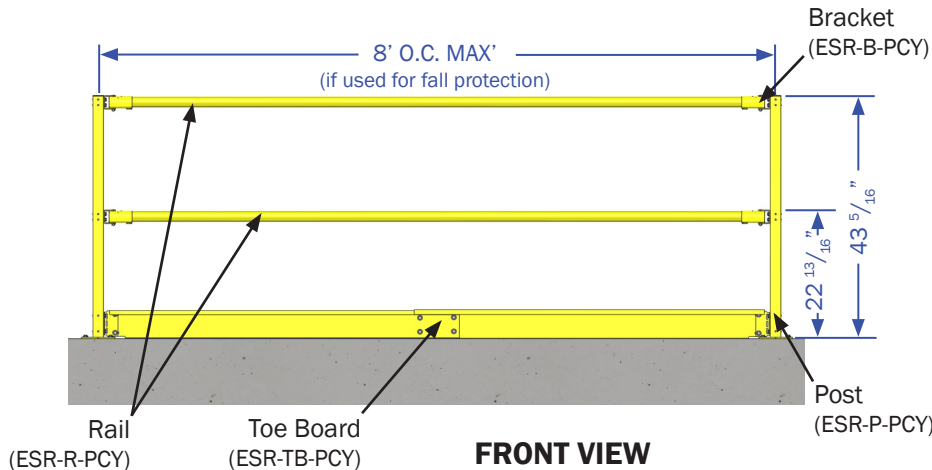
NOTICE Post anchorage supplied by Installer



DETAIL A



TOP VIEW



FRONT VIEW

QUOTATION REQUESTED

SAFETY RAILING ORDER

SOLD/QUOTE TO:

NAME:	
COMPANY:	
ADDRESS:	
CITY, STATE, ZIP:	
PHONE:	FAX:
EMAIL:	

SHIP TO:

NAME:	DATE:
ADDRESS:	P.O.#:
CITY, STATE, ZIP:	TAG:
PHONE:	SHIP VIA:

***For orders or product inquiries please email 4psinfo@psindustries.com**

PROJECT INFO:	RAILING CONFIGURATION:
TOTAL LENGTH OF RAILING REQUIRED: (feet)	GROUND FLOOR (TOP RAIL ONLY) GROUND FLOOR (TOP AND MID RAIL) GROUND FLOOR (TOP, MID RAIL, AND TOE BOARDS) ELEVATED (TOP, MID RAIL, AND TOE BOARDS)
OPENING QUANTITY:	
EACH OPENING SIZE: (1st)	
(2nd)	
(3rd)	
(4th)	(5th)
FINISH OPTION:	
POWDER COAT SAFETY YELLOW (STANDARD)	

MODEL/SIZE

MODEL	MAX. O.C. WIDTH (IF USED FOR FALL PROTECTION)	TRUE MIN. O.C. WIDTH (MIN. W/OUT TOE BOARD TRIMMING)	OVERALL PRODUCT WIDTH
ESR-PCY	96"	67 1/2"	O.C. DIM + 6"

SAFETY RAILING TECHNICAL DATA:

- Post (ESR-P-PCY):** The post is 43 5/16" tall and can handle top rails, mid rails, and toe boards on all four sides. This single post can be used in all setups.
NOTICE Floor Anchors are not included!
- Bracket (ESR-B-PCY):** Each horizontal railing requires two (2) brackets between each vertical post (Ex. a top and mid rail configuration with require four (4) brackets).
- Rail (ESR-R-PCY):** The horizontal rails are shipped in lengths of 89 inch and are setup for max span of 8 feet on center for the posts. If a smaller section is required these rails can be field-cut to exact length.
- Toe Boards (ESR-TB-PCY):** The toe boards (if required) fasten between the posts on the floor and are adjustable to 10 feet max span on center.

EDGESAFE®

Safety Railing

*Sketch project layout here, scan guide, and email to 4psinfo@psindustries.com

