

# LADDER SAFETY GATE MEASURING GUIDE

\*For orders or product inquiries please email [4psinfo@psindustries.com](mailto:4psinfo@psindustries.com)



1150 S. 48<sup>TH</sup> STREET, GRAND FORKS, ND 58201  
**Phone:** 701.746.4519 | **Toll Free:** 877.446.1519  
**Website:** [pssafetyaccess.com](http://pssafetyaccess.com)  
**Email:** [4psinfo@psindustries.com](mailto:4psinfo@psindustries.com)

**EDGEHALT®**  
*Posi-Stop Ladder Safety Gate*

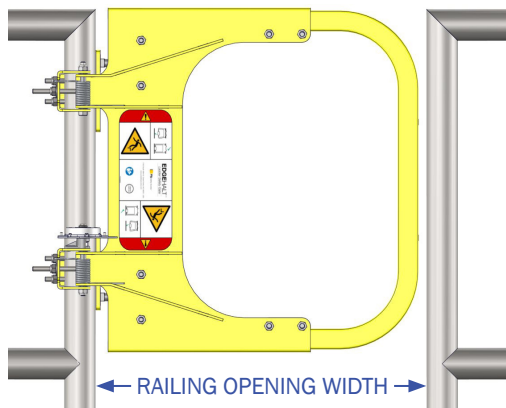
FINISH OPTIONS	
304SW	304 Stainless Steel Seal-Welded
PCY	Powder Coat Safety Yellow
GAL	Hot Dipped Galvanized

GATE MODEL/SIZE	GATE MODEL/SIZE				GATE FINISH TYPE			
	MODEL	MIN. RAILING OPENING WIDTH	MAX. RAILING OPENING WIDTH	MIN. FLAT SURFACE OPENING WIDTH	MAX. FLAT SURFACE OPENING WIDTH	304SW	PCY	GAL
GATE MODEL/SIZE	LSGPS-1520	15"	20"	17 <sup>5</sup> / <sub>16</sub> "	22 <sup>5</sup> / <sub>16</sub> "			
	LSGPS-2030	20"	30"	22 <sup>5</sup> / <sub>16</sub> "	32 <sup>5</sup> / <sub>16</sub> "			

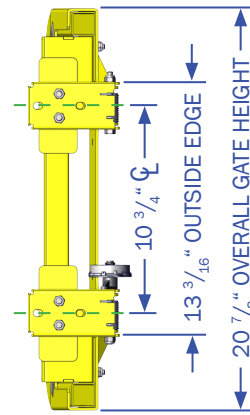
\*LSGPS-1520 Models have mitered corners on the hoop.

\*Put Gate Quantity in White Table Cells.

## RAILING INSTALLATION

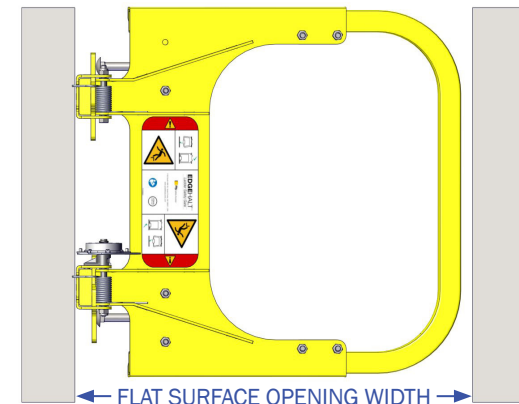


**FRONT VIEW EXTENDED**

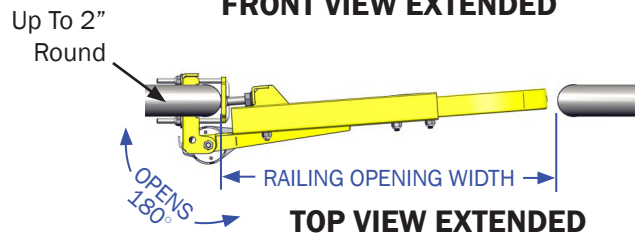


**SIDE VIEW**

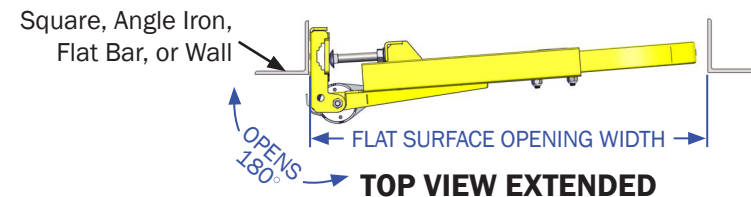
## FLAT SURFACE INSTALLATION



**FRONT VIEW EXTENDED**



**TOP VIEW EXTENDED**

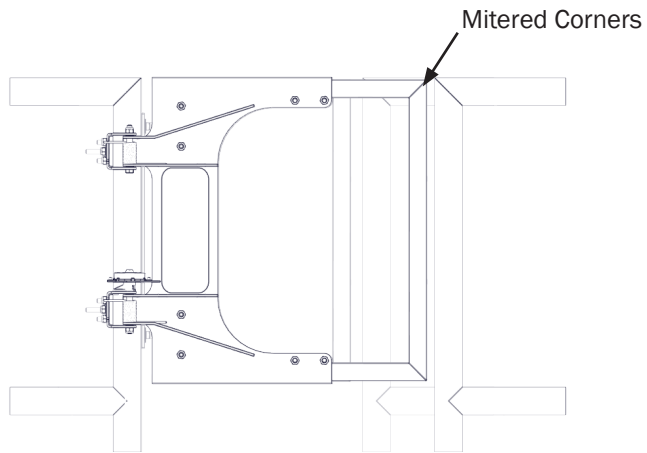


**TOP VIEW EXTENDED**

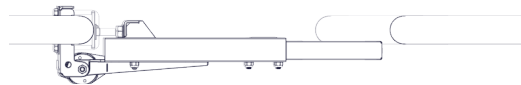
## LADDER SAFETY GATE SIZE REFERENCE

### **LSGPS-1520**

Railing Adjustment  
Range: 15"-20"  
Flat Surface Adjustment  
Range:  $17 \frac{5}{16}$ " -  $22 \frac{5}{16}$ "



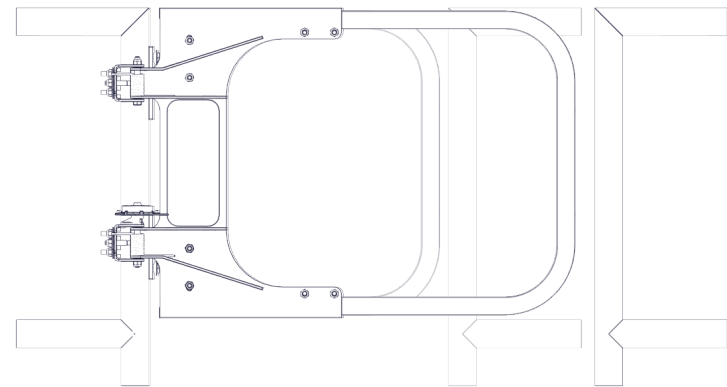
**FRONT VIEW**



**TOP VIEW**

### **LSGPS-2030**

Railing Adjustment  
Range: 20"-30"  
Flat Surface  
Adjustment Range:  
 $22 \frac{5}{16}$ " -  $32 \frac{5}{16}$ "



**FRONT VIEW**



**TOP VIEW**